



Alumil
Building excellence every day

Alumil  **IFS**
Integrated Flyscreen System



CONTENTS

INTEGRATED FLYSCREEN SYSTEM

DESIGN PHILOSOPHY & CHARACTERISTICS	2
ATTENTION TO DETAIL	4
EXPLOITING EVERY CONTEMPORARY NEED	6
SECTIONS	8
INSTALLATION	12
APPLICATIONS	16

The new ALUMIL Integrated Flyscreen represents **the evolution of flyscreens** ...

for minimal sliding systems while it combines **absolute protection** from insects **with high aesthetics.**



- The new integrated flyscreen remains completely invisible, hidden into the wall providing an unobstructed view and maximizing the natural light.
- Easy and safe access thanks to flat or eclipse track, ideal for children, elders and people with special needs.
- The flyscreen can be opened to any desired position and securely be sealed with the sash.
- The operation of the flyscreen is fully controlled by spring mechanism, which efficiently prevents abrupt or rapid closure.
- During closure, the sash pushes the flyscreen, so that the interior environment is constantly protected and not exposed to insects.
- In case of maintenance, the flyscreen can be detached easily without impacting the frame or the wall finish.

DIMENSIONS

WIDTH	2,0 m
MAXIMUM HEIGHT	3,2 m



ATTENTION

TO DETAIL

Specially designed Alumil branded handle flash to the wall



Handlebar profile designed with an ergonomic grip, providing comfortable use, both from the interior and exterior positions.

Uncompromising quality of mesh for long-lasting performance, optimal airflow and visibility.



The caterpillar at the bottom maintains the flyscreen mesh stretched and insures functionality over time.



The minimal design of Alumil systems **SUPREME S650 PHOS** and **SMARTIA M630 PHOS** is enhanced with the integrated flyscreen.

THE NEW SOLUTION CAN COOPERATE PERFECTLY WITH THE FOLLOWING VERSIONS:

SUPREME S650 ECLIPSE



SUPREME S650 PHOS
• LOW THRESHOLD



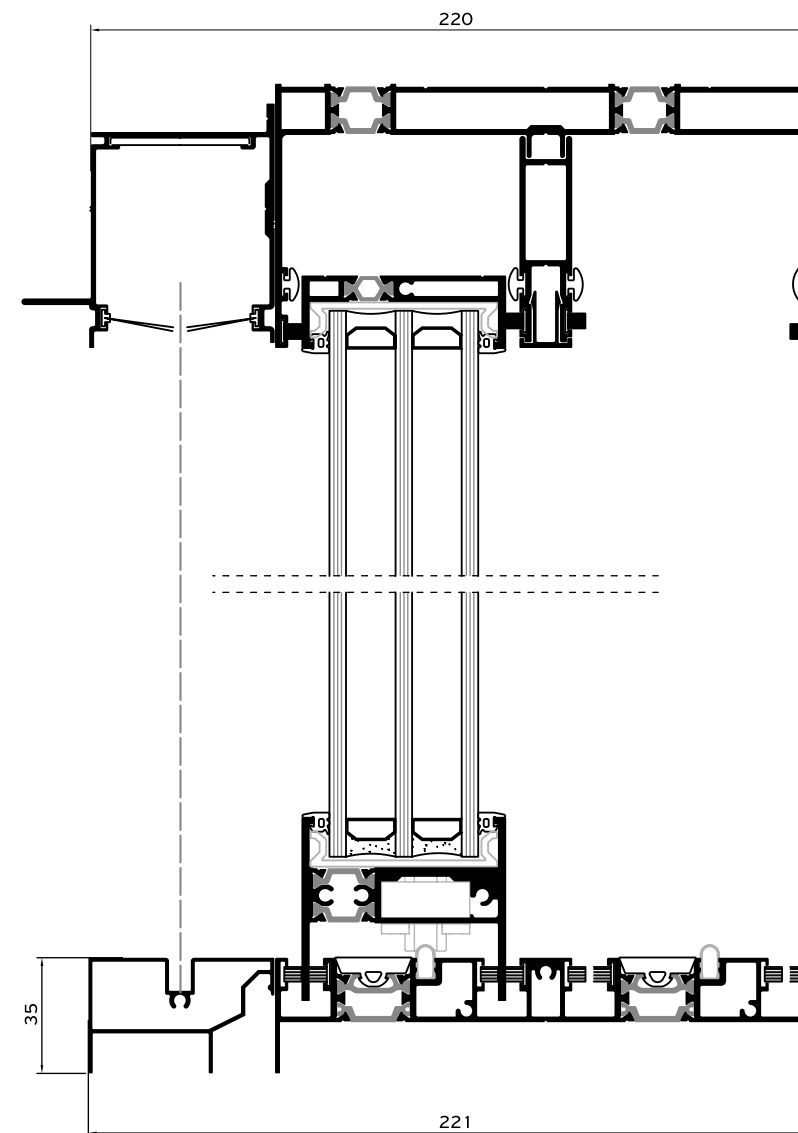
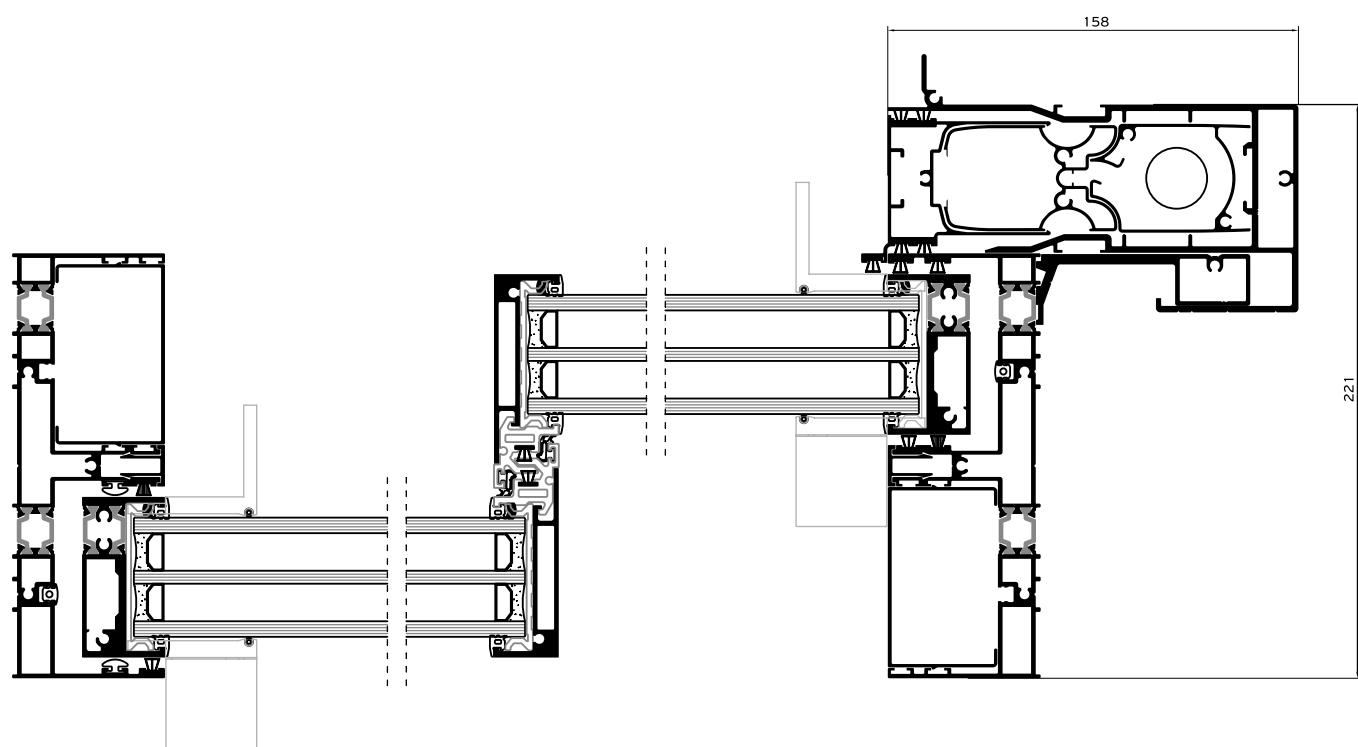
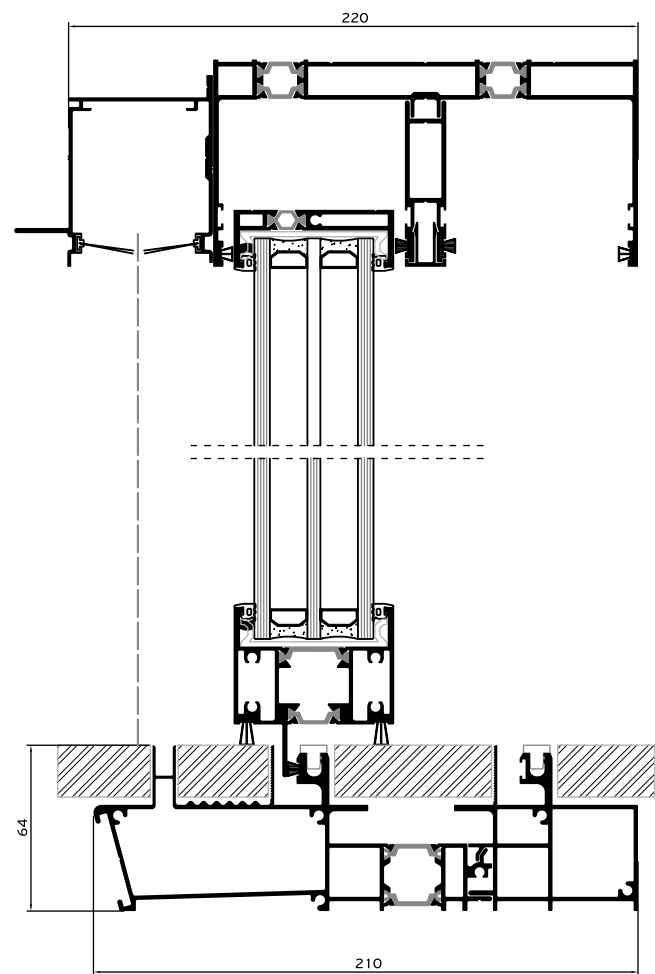
SMARTIA M630 PHOS
• WITHOUT SUBSILL
• WITH SUBSILL



SUPREME S650 ECLIPSE

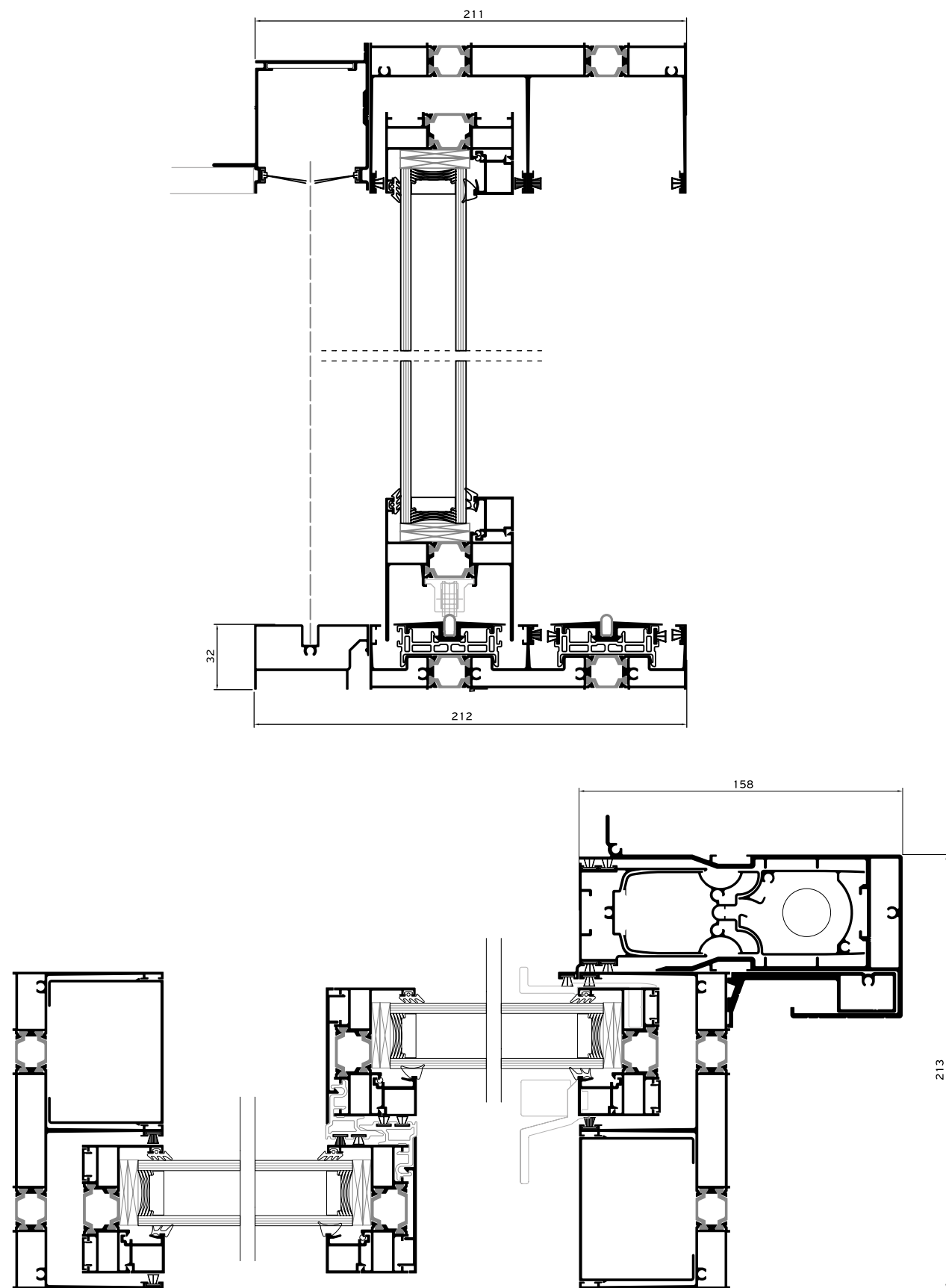
SUPREME S650 PHOS

Low threshold



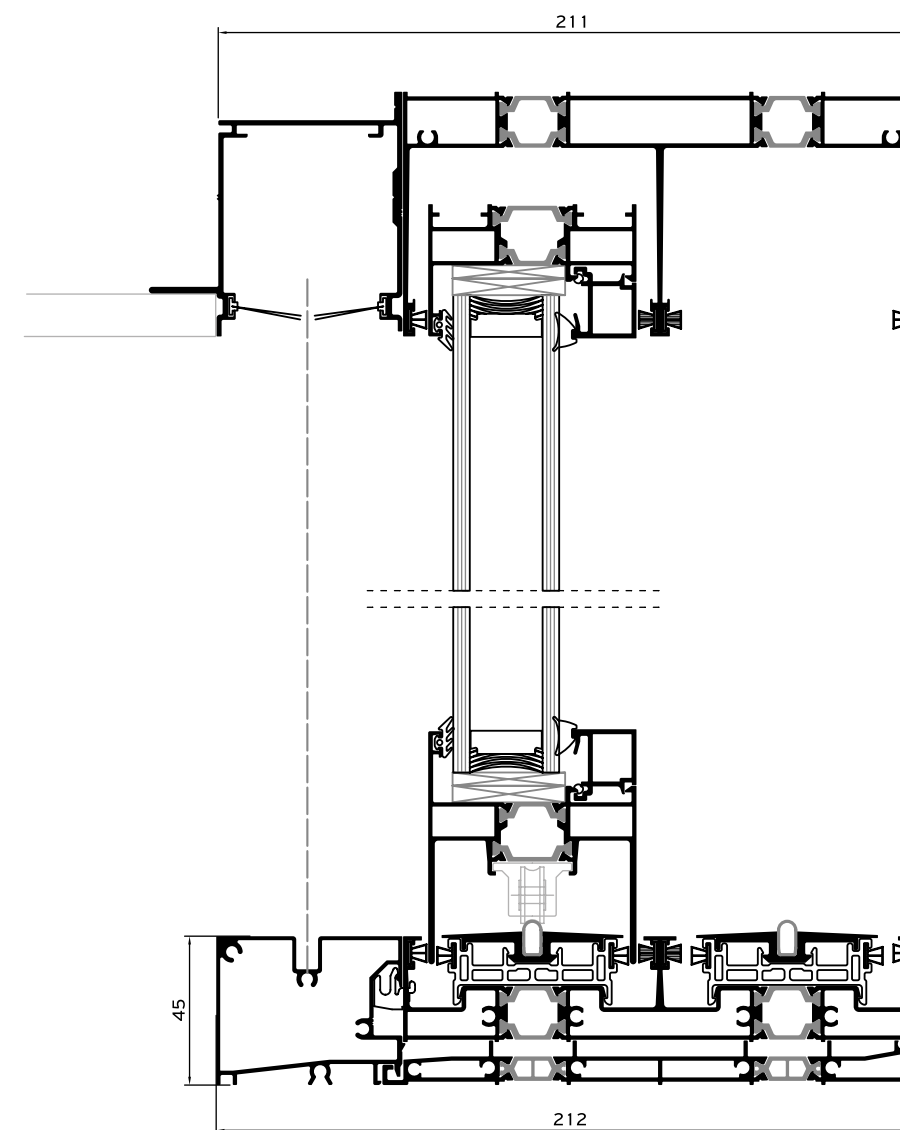
SMARTIA M630 PHOS

Without subsill



SMARTIA M630 PHOS

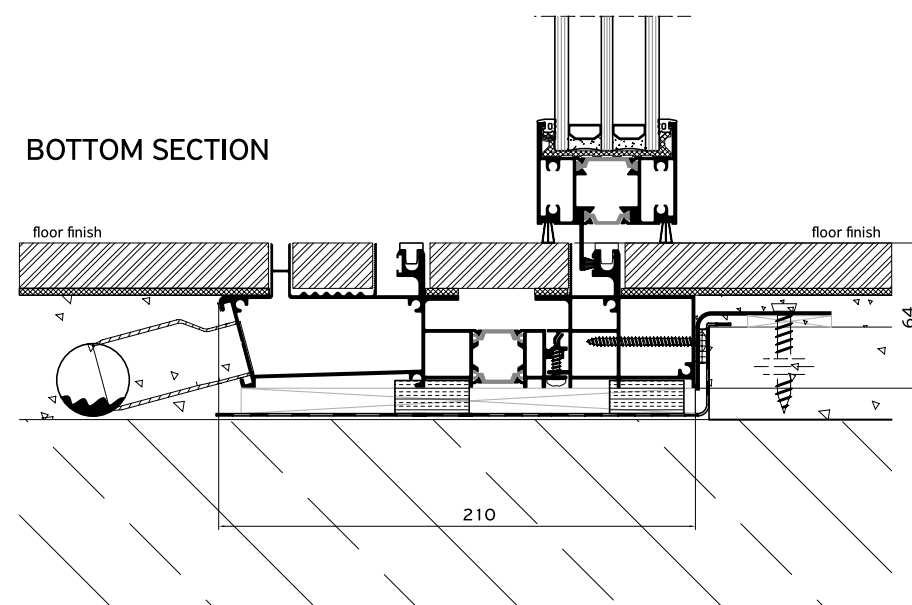
With subsill



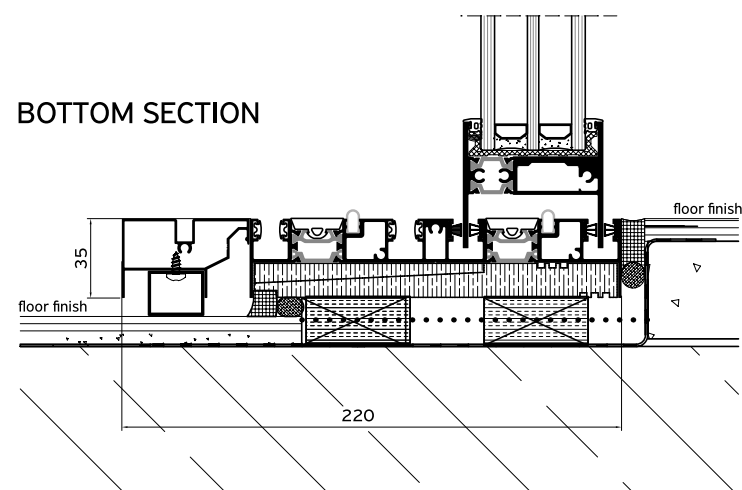
Installation

	PRECOMPRESSED MULTI-FUNCTION SEALING TAPE
	BACKER ROD
	HYBRID SEALANT OR NEUTRAL SILICONE
	STYRODUR HIGH DENSITY BOARD
	MARBLE
	POLYURETHANE FOAM
	POLYSTYRENE
	WALL CONSTRUCTION
	WALL FINISH
	REINFORCED CONCRETE
	AIR WATER VAPOR BARRIER TAPE

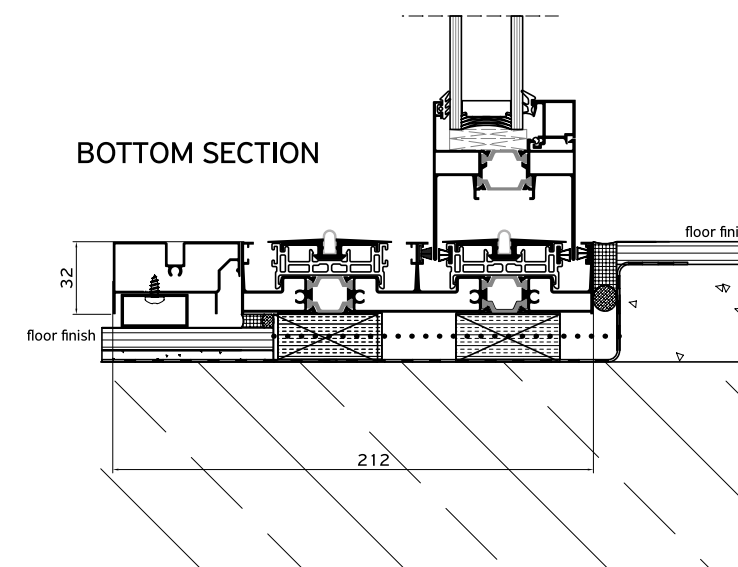
SUPREME S650 ECLIPSE



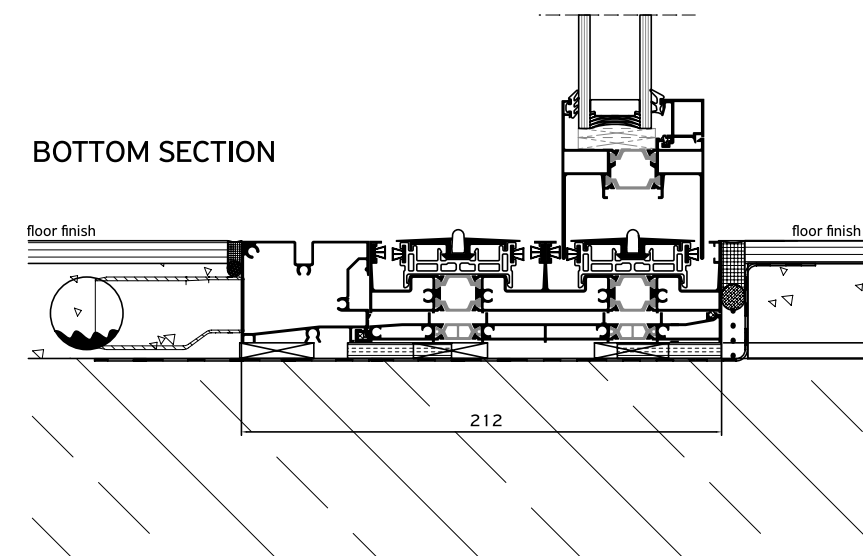
SUPREME S650 Low threshold





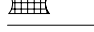


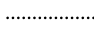

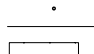
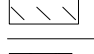

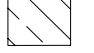
SMARTIA M630 PHOS Without subsill



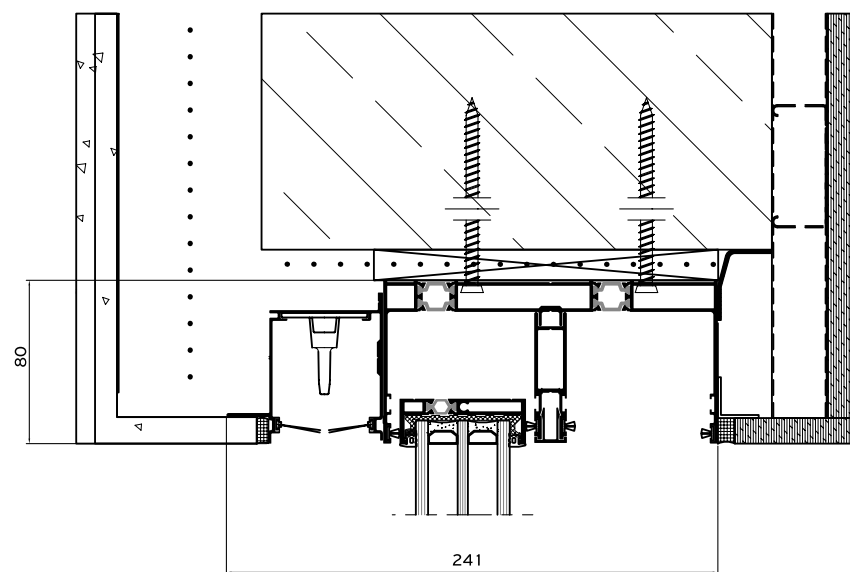
SMARTIA M630 PHOS With subsill



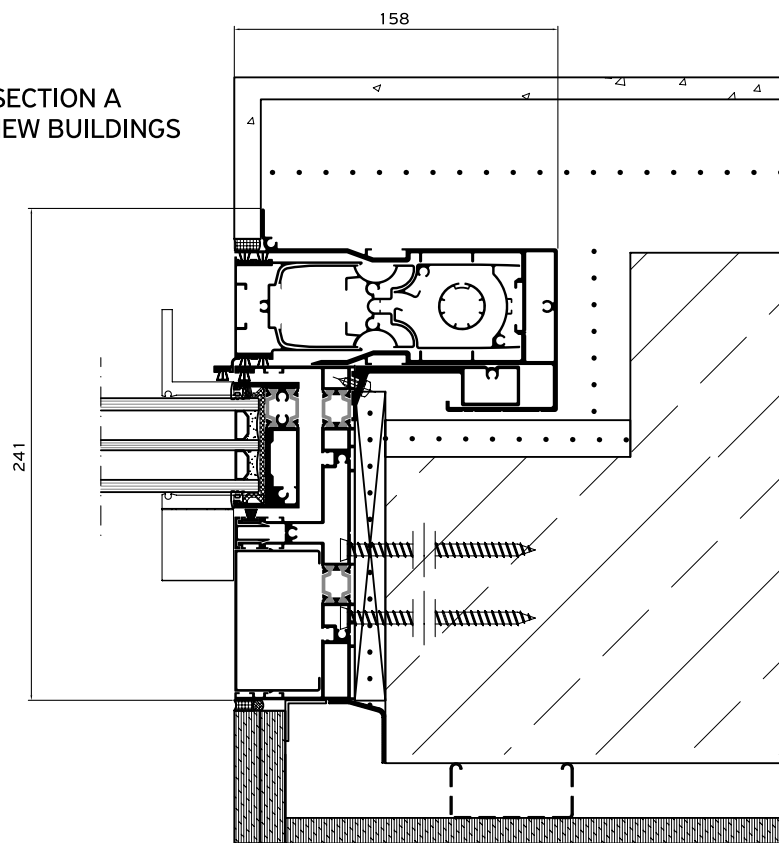
Installation

-  PRECOMPRESSED MULTI-FUNCTION SEALING TAPE
-  BACKER ROD
-  HYBRID SEALANT OR NEUTRAL SILICONE
-  STYRODUR HIGH DENSITY BOARD
-  MARBLE
-  POLYURETHANE FOAM
-  POLYSTYRENE
-  WALL CONSTRUCTION
-  WALL FINISH
-  REINFORCED CONCRETE
-  AIR WATER VAPOR BARRIER TAPE

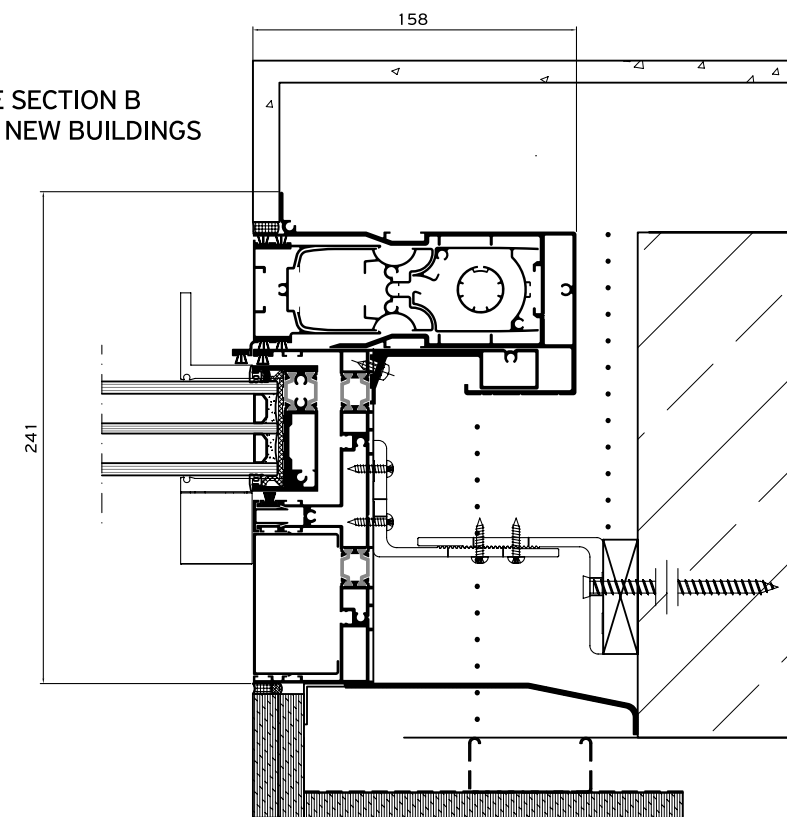
TOP SECTION



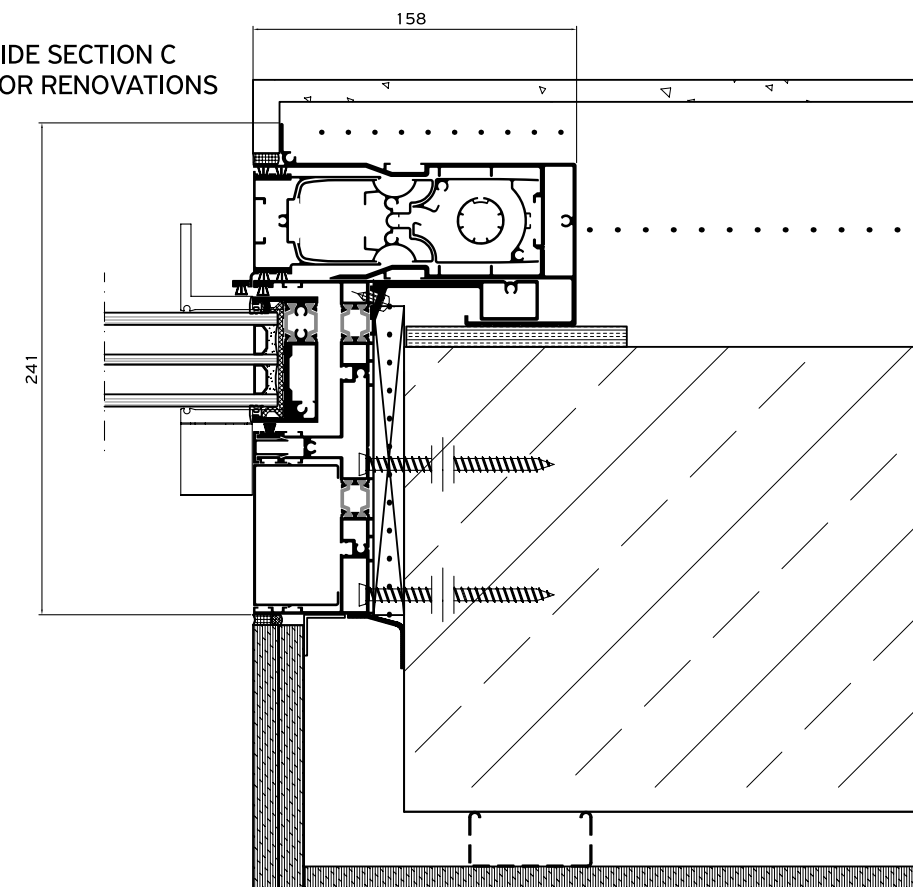
SIDE SECTION A FOR NEW BUILDINGS



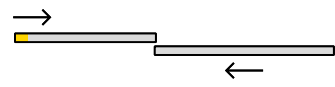
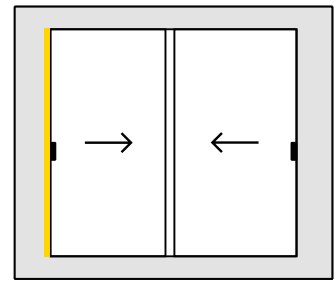
SIDE SECTION B FOR NEW BUILDINGS



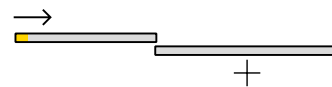
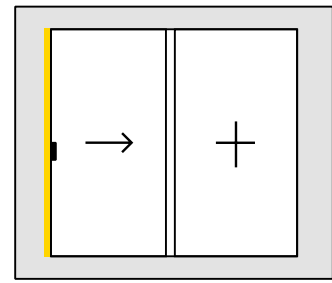
SIDE SECTION C FOR RENOVATIONS



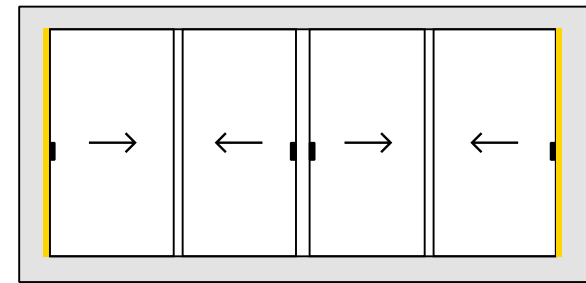
Applications



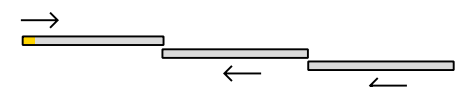
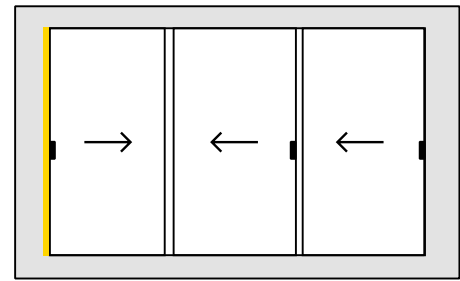
2 SASHES / 2 TRACK



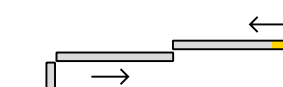
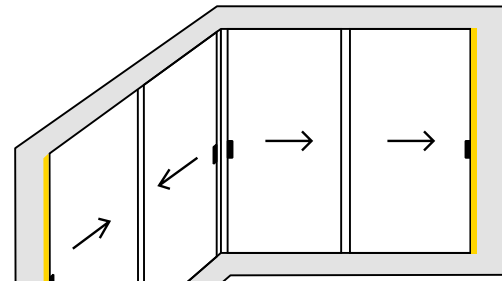
2 SASHES / FIXED



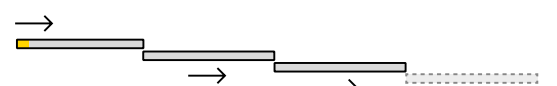
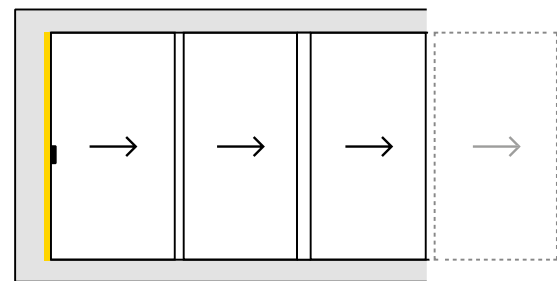
4 SASHES / 2 TRACK



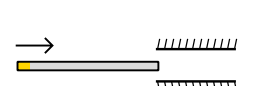
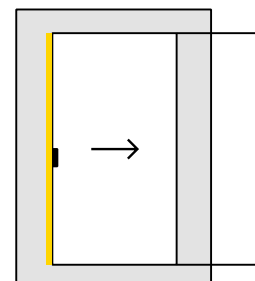
3 SASHES / 3 TRACK



INTERNAL / EXTERNAL CORNER
2 SASHES / 2 TRACK



MULTITRACK



1 SASH / 1 TRACK

**ALUMIL
HEAD OFFICES
& SHOWROOM - THESSALONIKI**

GOGOUSI 8, EFKARPIA
THESSALONIKI - GR 56429

TEL.: +30 2313 011000
FAX.: +30 2310 692473
EMAIL.: info@alumil.com

**ALUMIL
HEADQUARTERS**

KILKIS INDUSTRIAL AREA
KILKIS - GR 61100

TEL.: +30 23410 79300
FAX.: +30 23410 71988
EMAIL.: info@alumil.com

www.alumil.com

EN MAY 2023

alumil