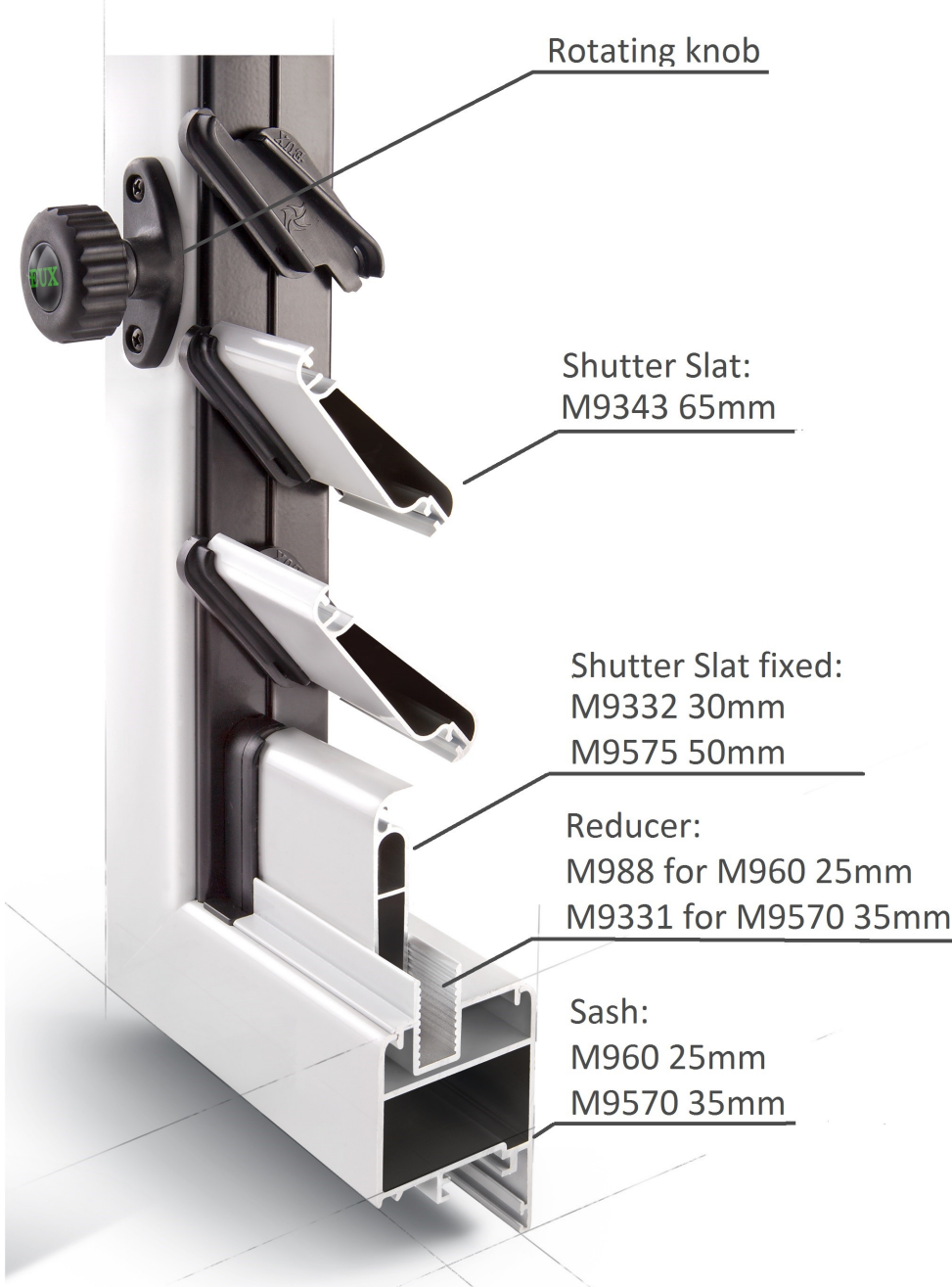


Alumil extends its range by offering a new adjustable slat mechanism for shutters. The mechanism is supplied in 5m long pieces and is cut during fabrication to the required length. While being easy to manage stock and production it offers a robust and economic solution.

Adjustable Slat Mechanism 5m:
25mm - EX-4551002503
35mm - EX-4551003503



Rotating knob for 25mm
EX-4551022503



Rotating lever for 25mm
EX-4551012503



Rotating knob for 35mm
EX-4551023503



Rotating lever for 35mm
EX-4551013503

