

The Alumil logo is displayed in a dark blue, sans-serif font. The letter 'A' is stylized with a white diagonal slash. The logo is positioned on a yellow triangular background that is part of a larger geometric design of yellow and dark blue shapes on the left side of the page.

Alumil

The Alumil logo is shown in white on a dark blue background. To its right is a yellow chevron symbol pointing to the right. Further right, the words 'SUPREME' and 'S650 PHOS' are stacked in a white, sans-serif font.

Alumil  **SUPREME**
S650 PHOS

Contents

PHOS means Light

“Architecture is the learned game, correct and magnificent, of forms assembled in the light.”

Le Corbusier

Feel like living outdoors

SUPREME S650 PHOS is the ideal choice for sliding windows with wide glazing surfaces mounted in aluminium frames that are totally flush to the ceiling and the floor. Thus, the system offers to the users the sense of freedom and direct interaction with the external environment. SUPREME S650 PHOS can be operated either manually or automatically (version SUPREME S650 e-MOTION).

SUPREME S650 PHOS

DESIGN PHILOSOPHY & CHARACTERISTICS	04
SENSE OF FREEDOM	06
ATTENTION TO DETAIL	08
ATTENTION TO SAFETY	10
SECTIONS	12

SUPREME S650 eclipse

THE ABSOLUTE MINIMAL DESIGN	26
SECTIONS	28

SUPREME S650 e-MOTION

FUNCTIONALITY, CREDIBILITY AND COMFORT	32
SECTIONS	34
APPLICATIONS	38
TABLE OF PERFORMANCE	40

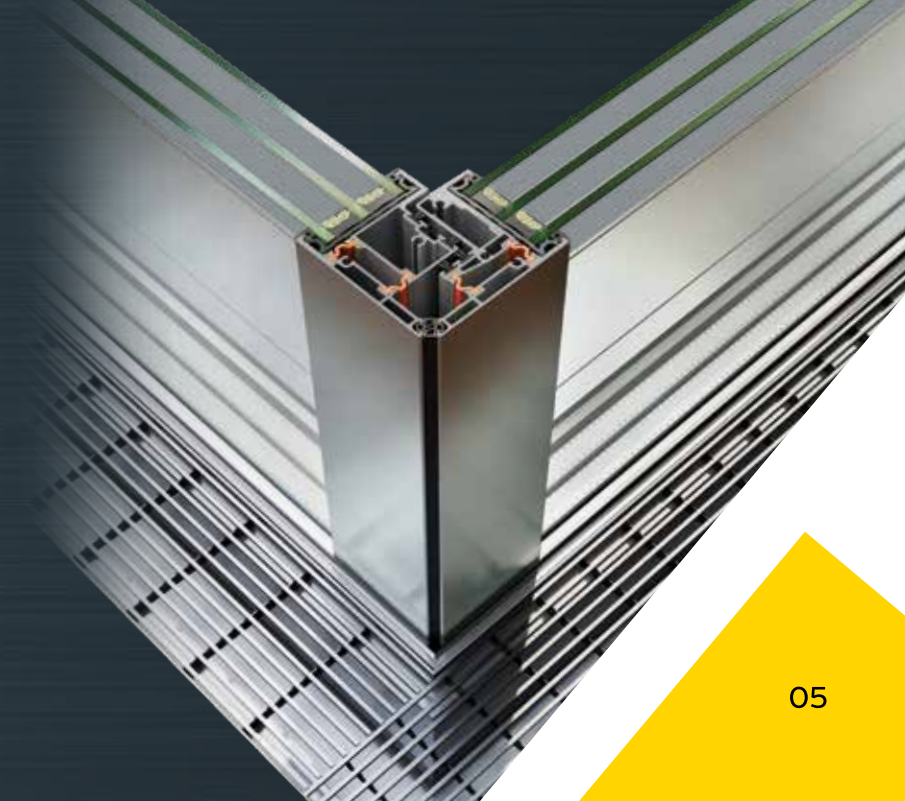


ALUMIL's sliding thermal insulating system SUPREME S650 PHOS is the ideal solution for projects requiring wide spans with minimal aluminium site lines. Massive yet elegant glazing surfaces are achieved while maintaining high functionality, performances and minimal architectural design.

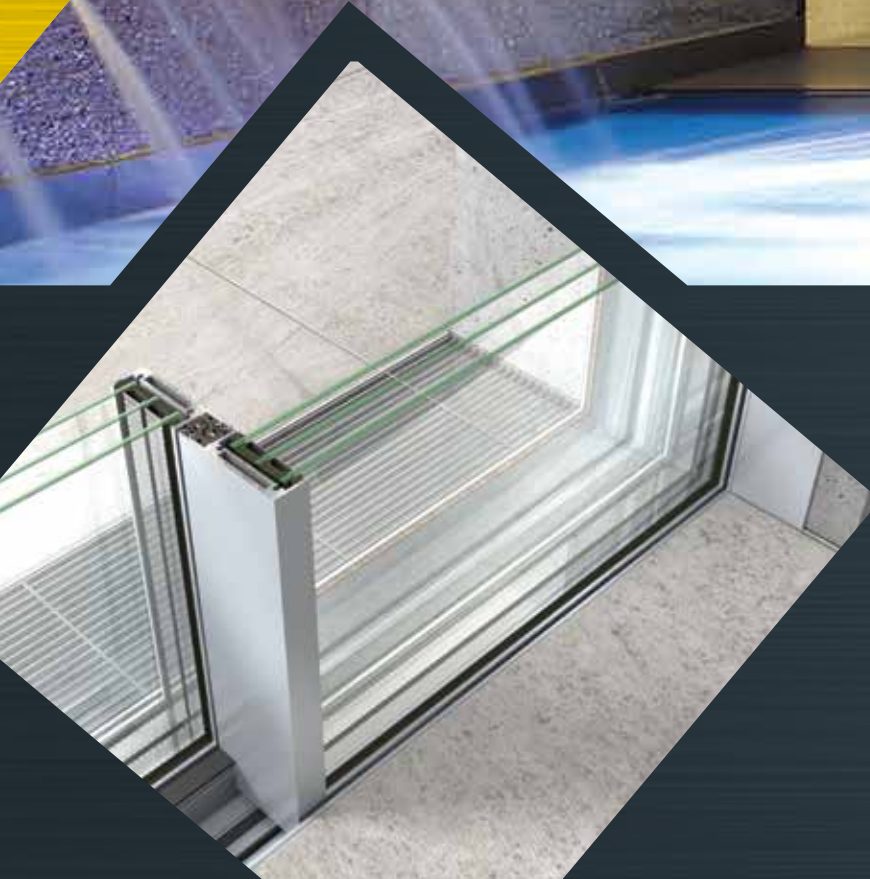
- / All the aluminum profiles are totally concealed in wall so as to maximize natural light.
- / Only 25 mm visible aluminium face width at the interlocking profile.
- / Extra concealed profiles available for water drainage.
- / Stainless steel rollers for smooth sliding & maximum functionality with high resistance to corrosion.
- / For all parallel sliding typologies including the corner constructions.
- / Special profiles for the implementation of multi-sash typologies.
- / Alternative version for top-mounted installation.

Technical Characteristics

Visible aluminium face width	Concealed profiles
Frame height	59 mm
Frame width	164 mm
Sash height	22 / 32 mm
Sash width	62 mm
Interlocking profile width	25 mm
Sash weight	up to 1000 Kg
Glazing	36 / 46 mm
Insulation	Polyamides, PVC

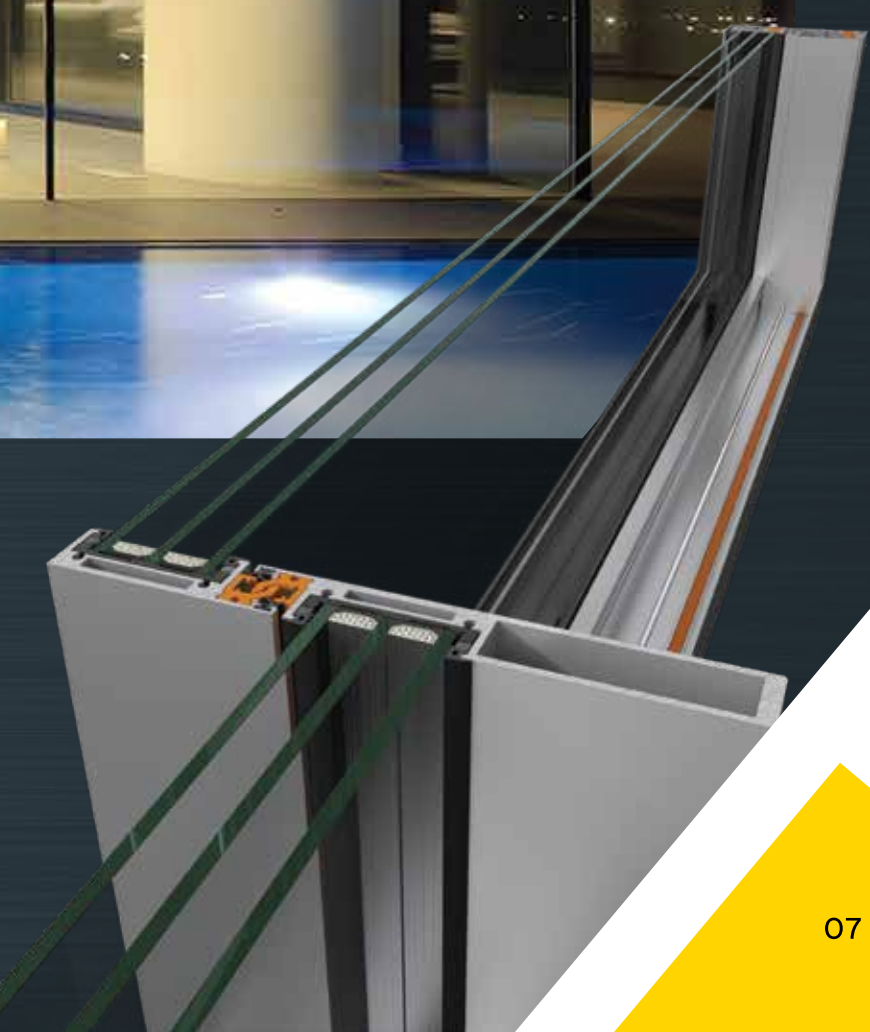


Sense of freedom

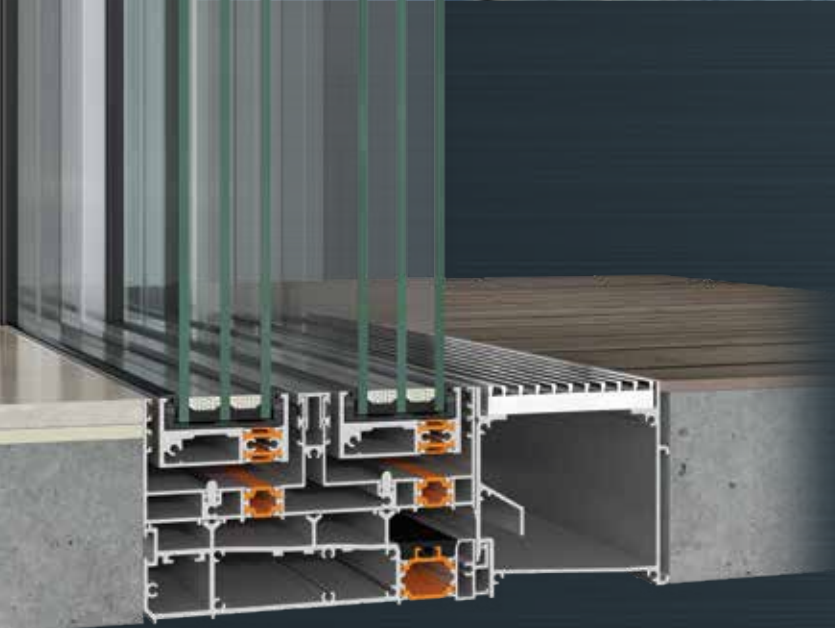


The system's main advantage is the improvement of living conditions by maximizing the natural lighting and minimizing the visible aluminum face width, which makes the residents feel closer to the external environment and increases their sense of freedom.

The limits between interior and exterior are eliminated, as the only visible aluminium width is 25mm at the interlocking profile. In addition, the reinforced interlocking profile apart from aesthetics and functionality, offers robustness to the structure and resistance to wind loads for higher sashes.



Attention to detail



SUPREME S650 PHOS offers a unique combination of elegance and functionality, satisfying even the most demanding requirements. Its minimal design along with the wide glazing surfaces enhance maximum visibility and natural light by using TOTALLY concealed profiles into the walls, the floor and the ceiling.

Alternative version for top-mounted installation with a low threshold, a flat track that is addressing safety issues for easy and safe access to children, elders and people with special needs. A more flexible solution ideal for renovations with innovative water drainage.



Attention to safety



Handles

Branded handles with ALUMIL unique design offer high security as they are lockable with key placed on the handle level. In addition, they are very easy to install after transportation on site and can be easily removed for maintenance.

Rollers

Stainless steel rollers ideal for seaside projects. For heavy duty constructions up to 600 Kg per sash, offering high functionality & smooth gliding of the sashes.

Certified performances tested according EN 13126-1 and EN 1670 for:

- / Corrosion resistance
- / Durability
- / Static load
- / Hardness



Locking system

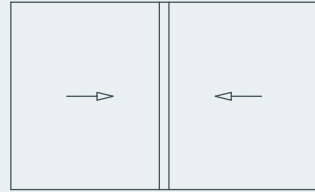
Locking system is very sophisticated and yet very robust engineered, offering multiple point locking, top-bottom with rod and on the vertical fixed frame with bolts and strikers.

Shading and insect protection

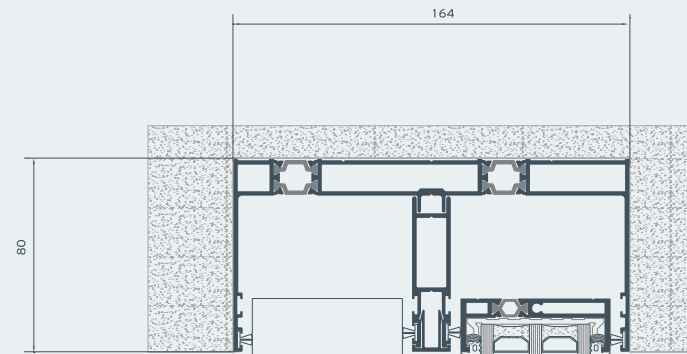
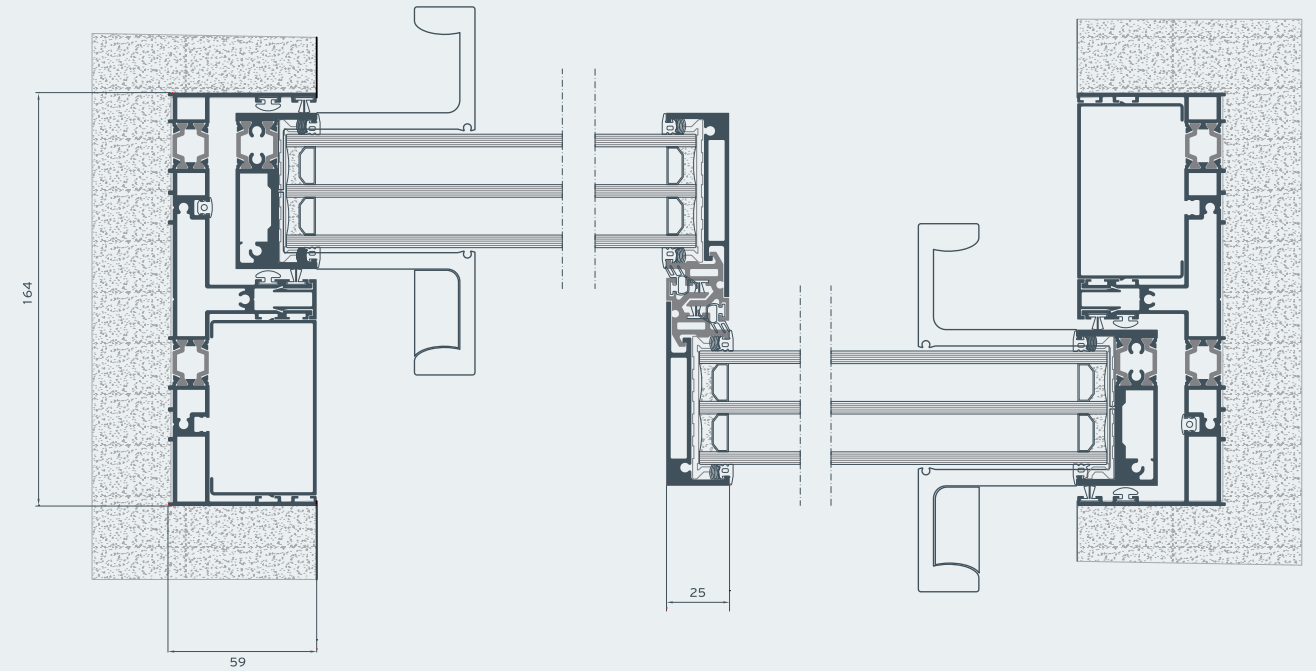
The minimal series SUPREME S650 PHOS is compatible with the automated vertical insect-screen, which is ideal for wide spans of up to 6m width and does not restrict the sight view.

It offers efficient protection against insects and includes a new technology that retains the insect-screen completely stretched for flawless operation over time.

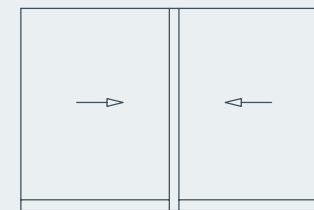
2 sashes / 2 track



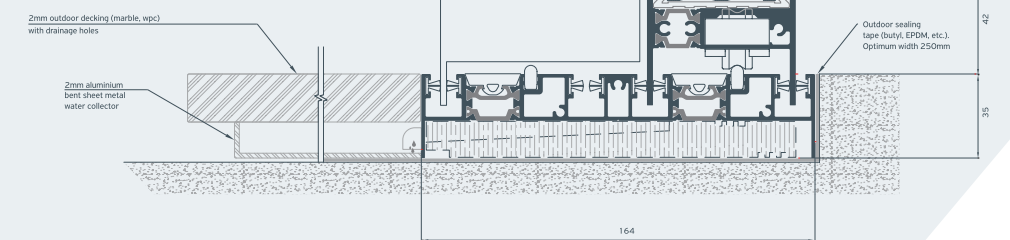
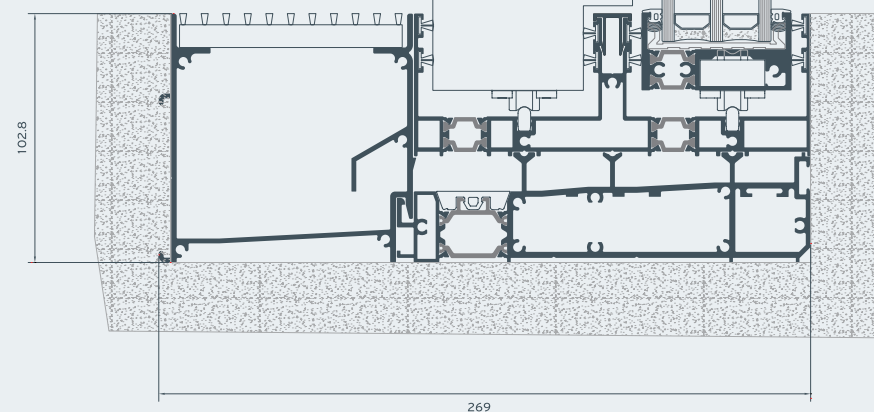
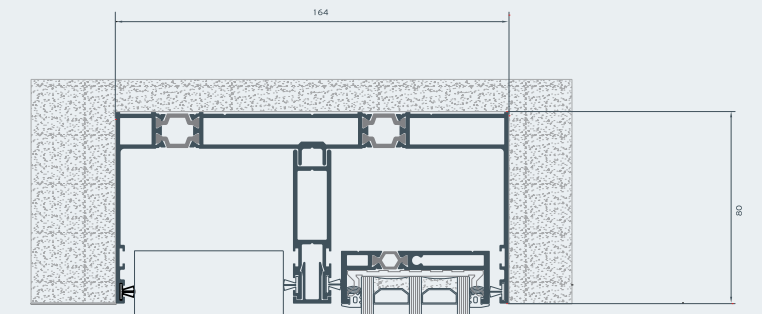
The innovative design of the concealed water drainage system offers excellent performance even under adverse weather conditions. Specially perforated profiles and accessories, assembled together, facilitate the water outflow.



2 sashes / 2 track
low threshold

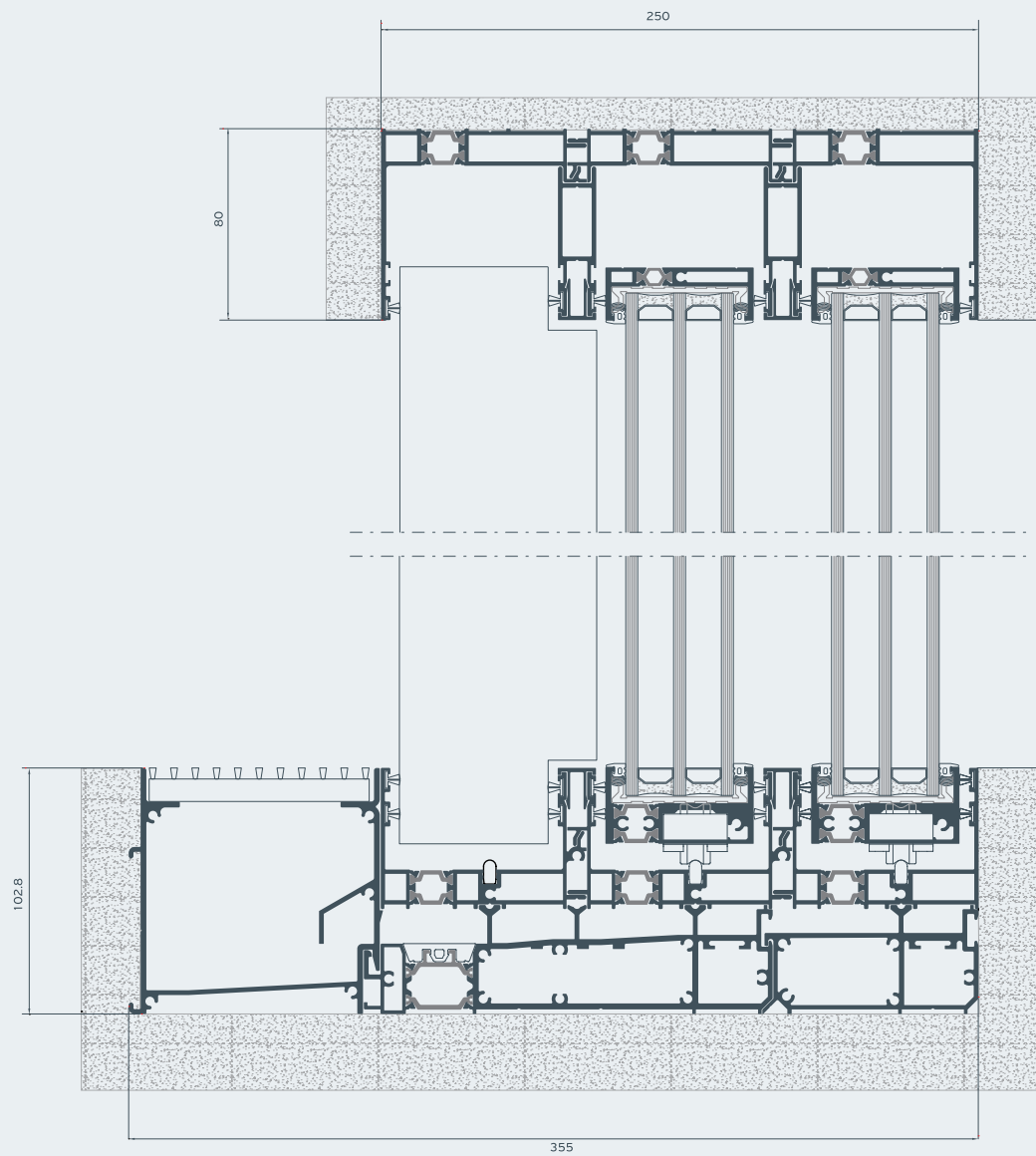
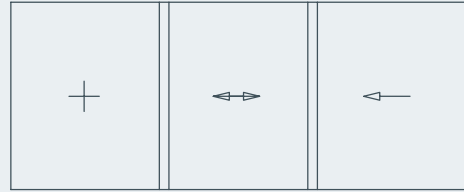


Even when the low threshold is selected for top-mounted installation, there is a special component for the concealed water drainage that offers high watertightness.

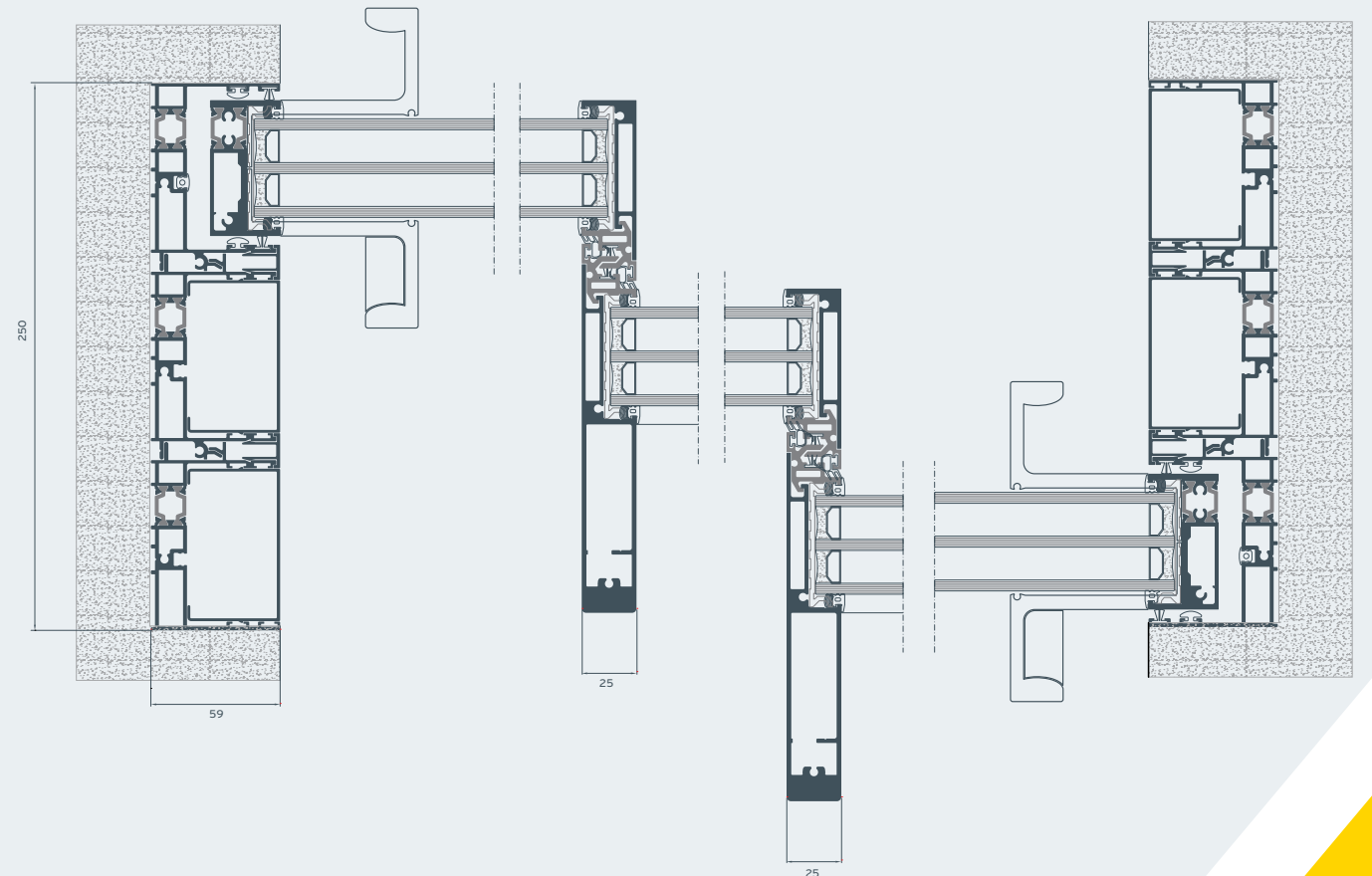
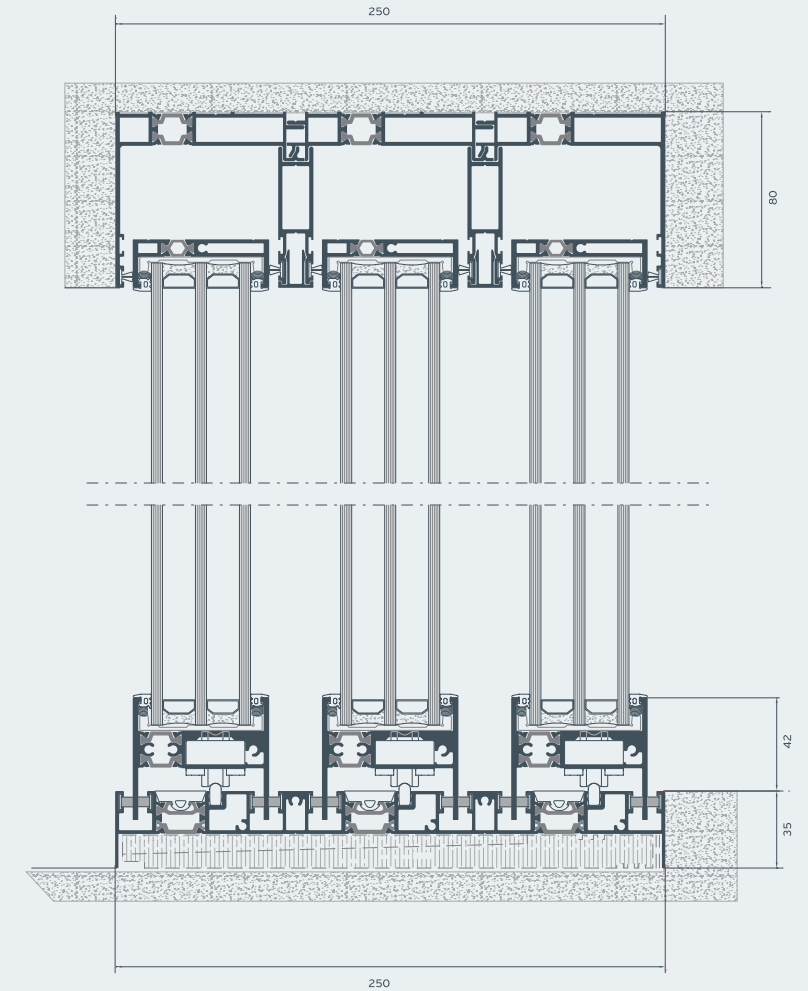
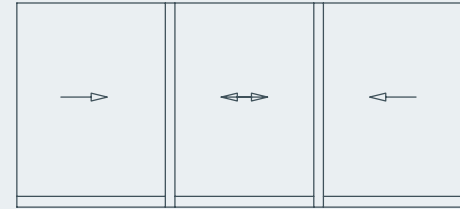


Alumil SUPREME
S650 PH0S

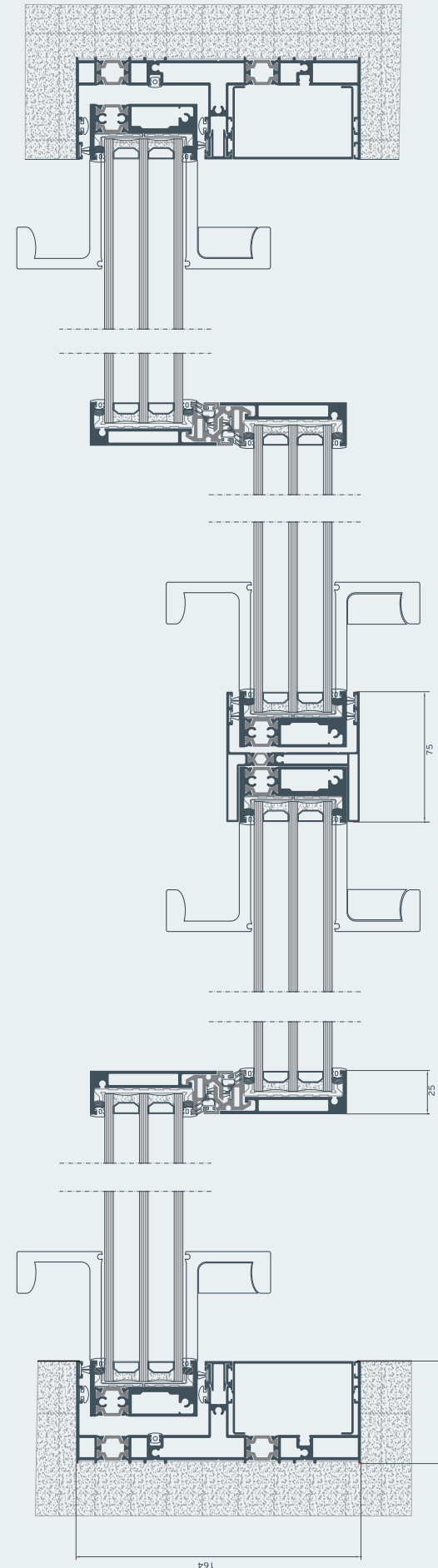
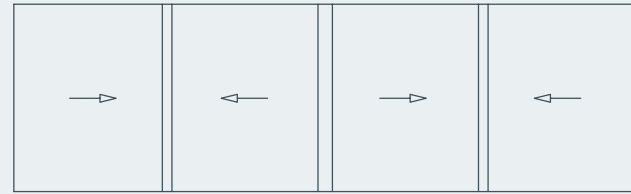
3 sashes / 3 track



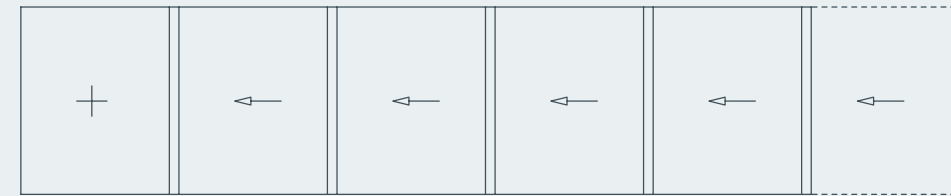
3 sashes / 3 track
low threshold



4 sashes / 2 track

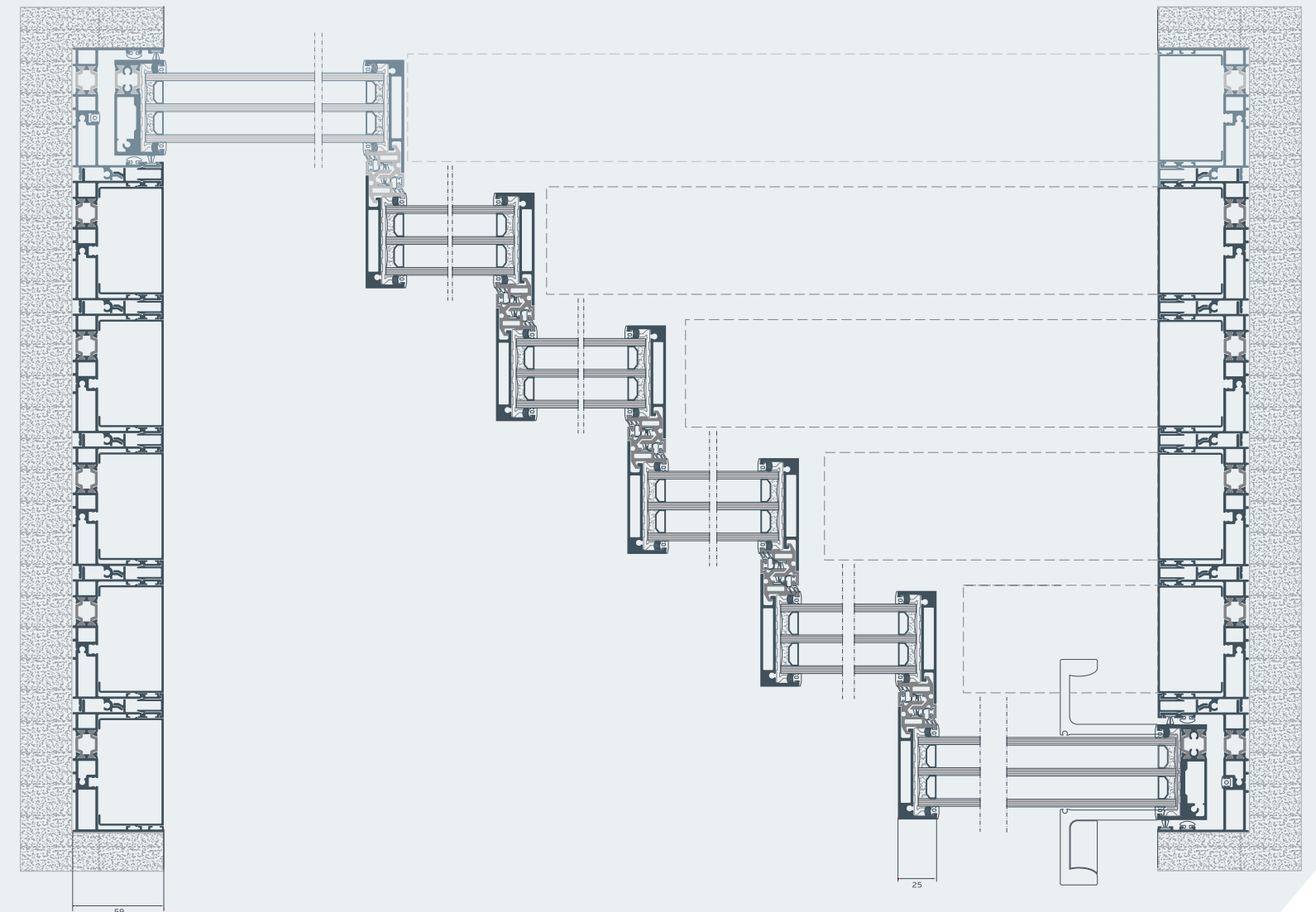


Multi track

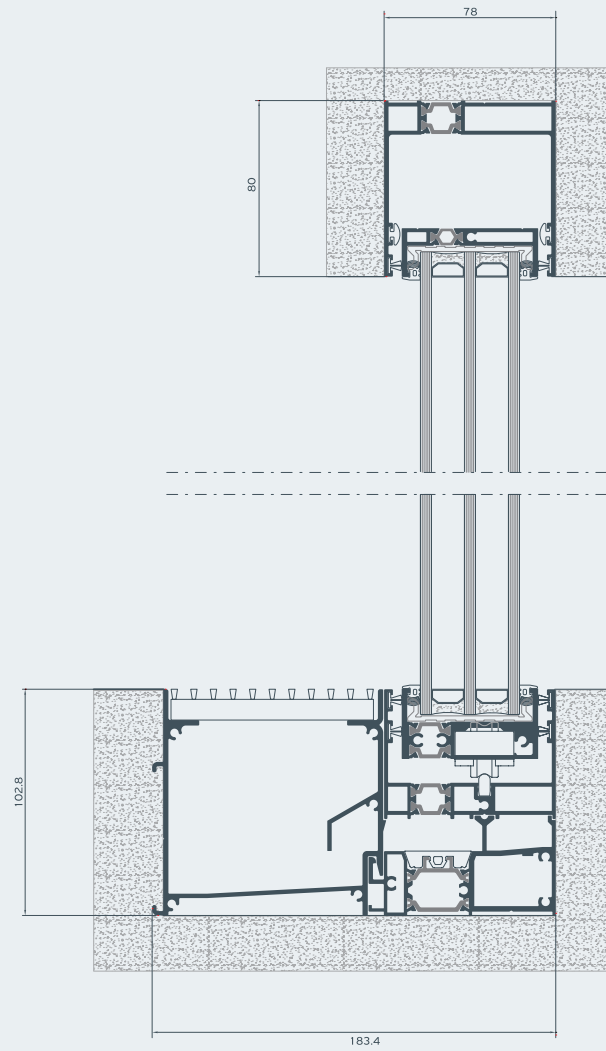
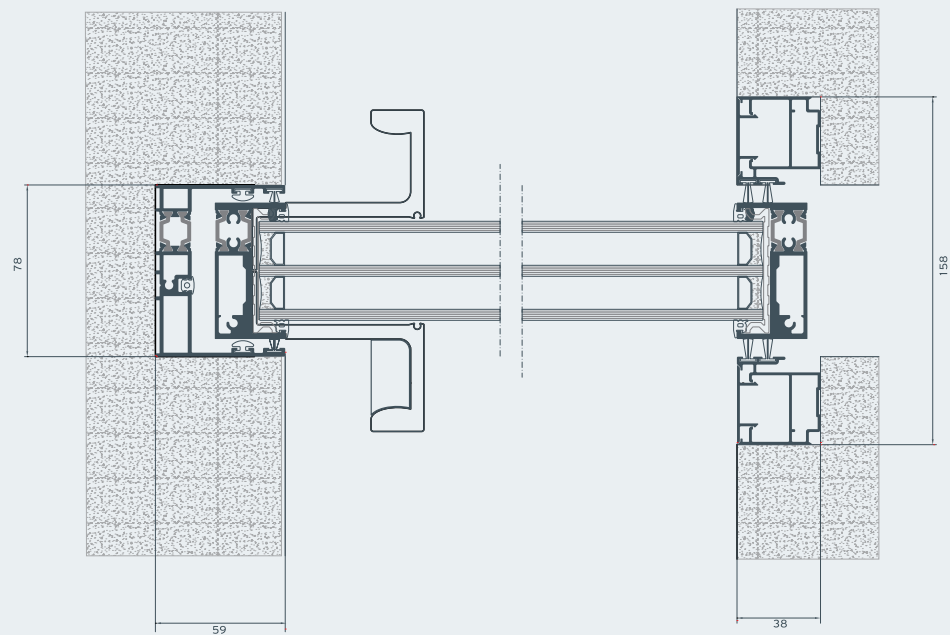
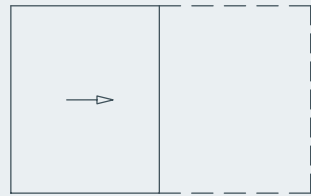


In order to cover wide spans, SUPREME S650 PHOS offers the ability of implementing multiple tracks with the specially designed profiles of the series.

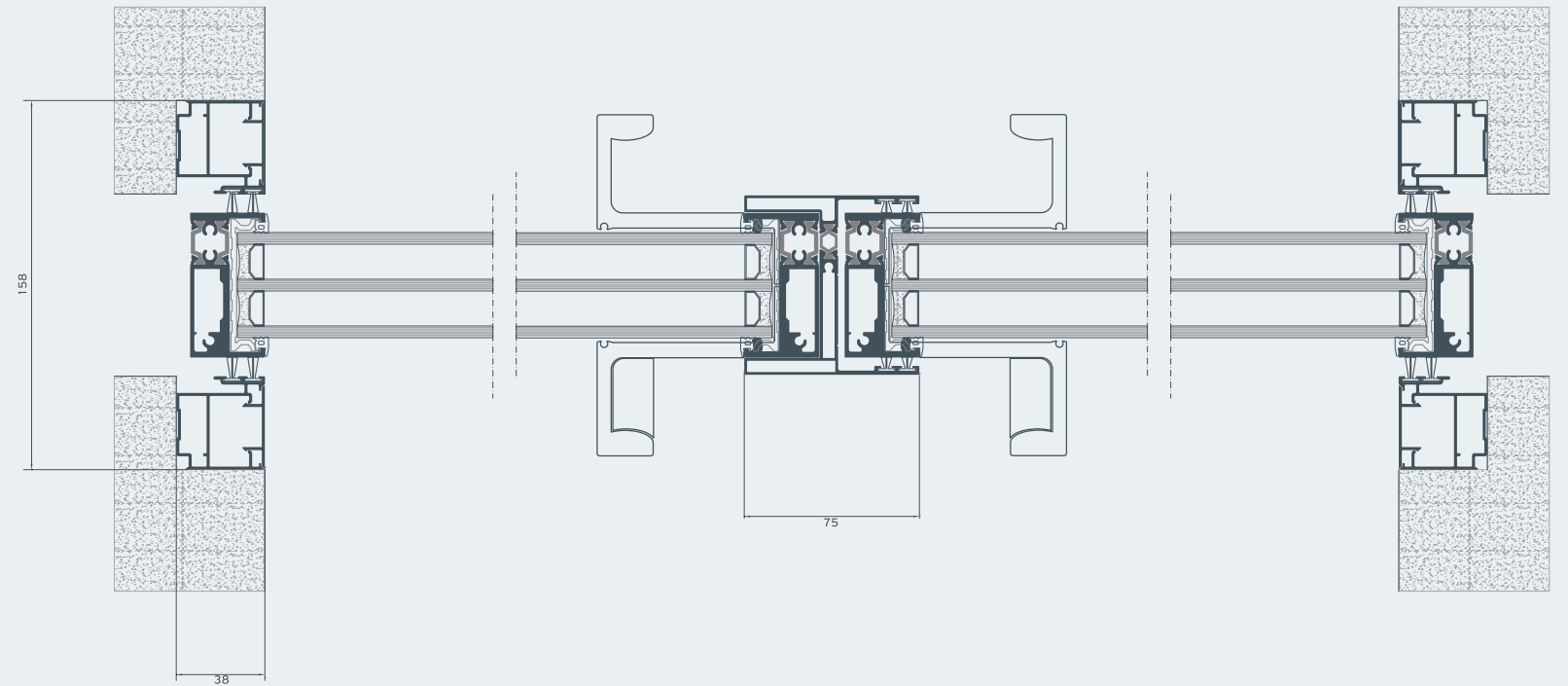
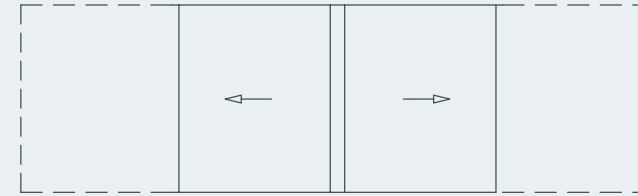
Thus, the main advantage of the multi-sash typologies is that there is no limit at the number of the horizontal sliding sashes.



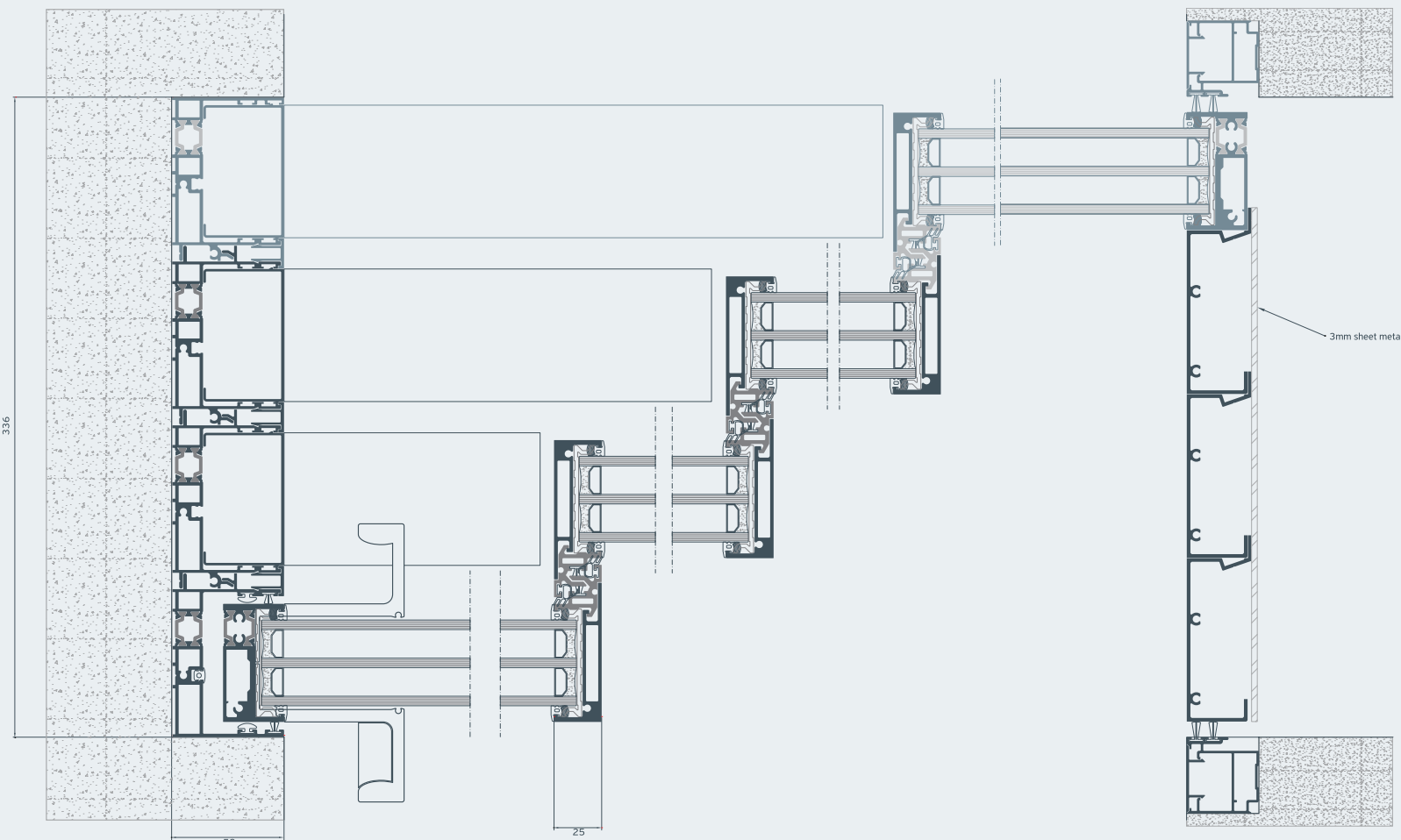
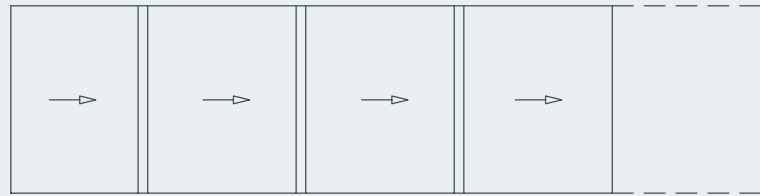
Pocket window
1 sash / 1 track



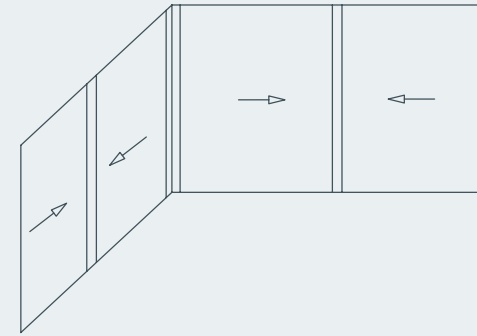
Pocket window
2 sashes / 1 track



Pocket window
Multi track

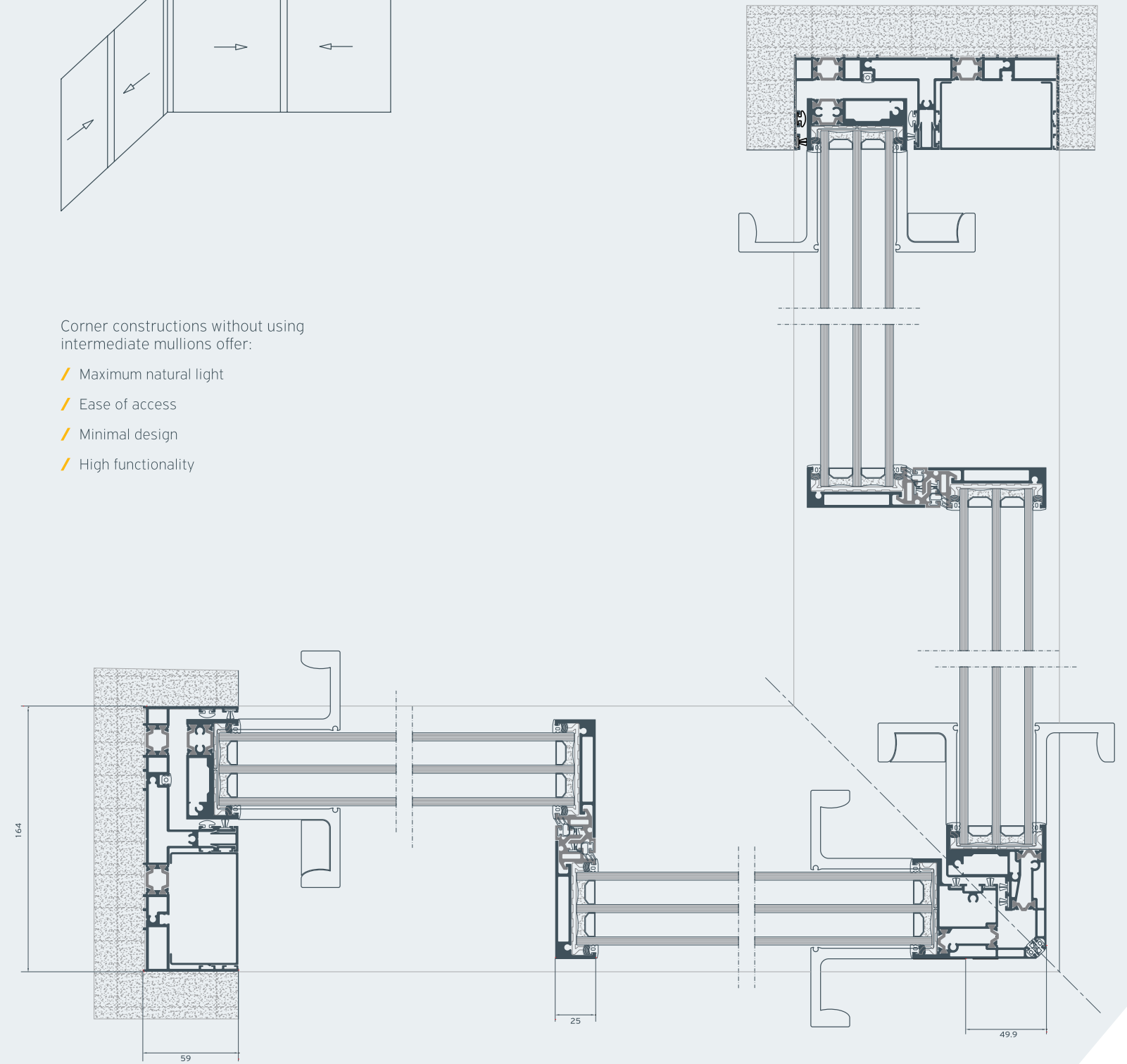


External Corner

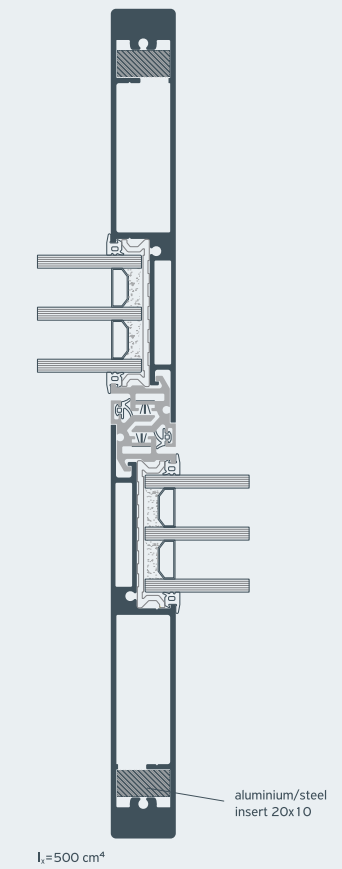
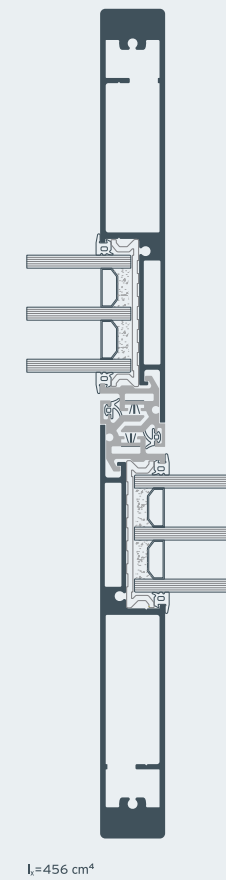
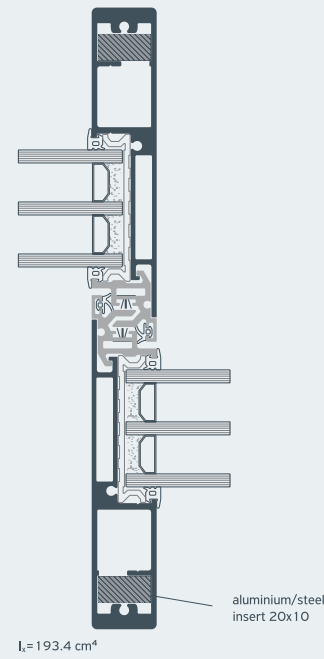
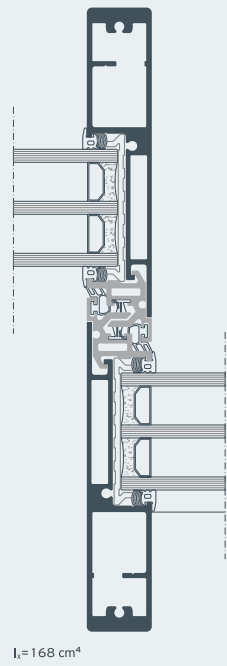
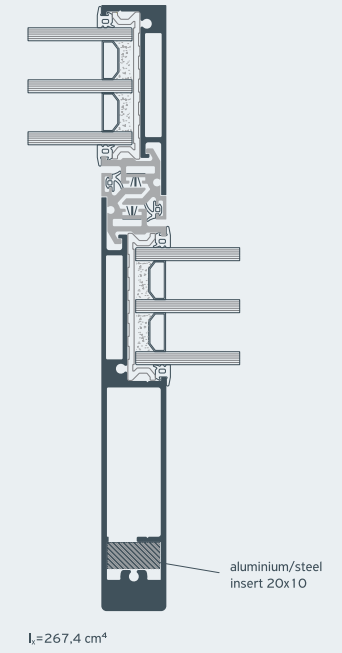
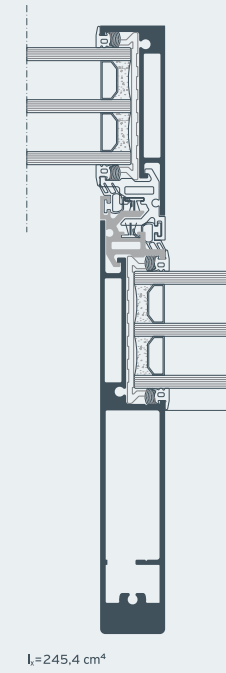
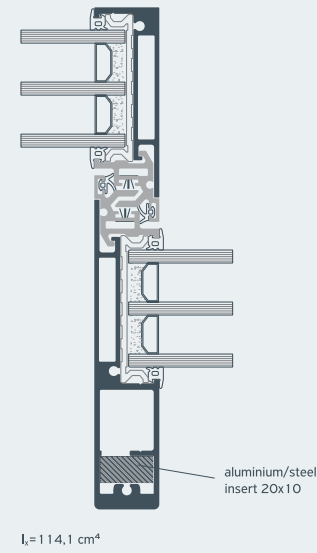
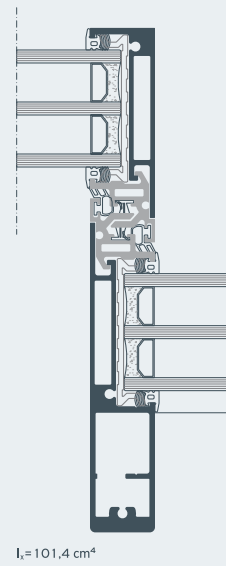
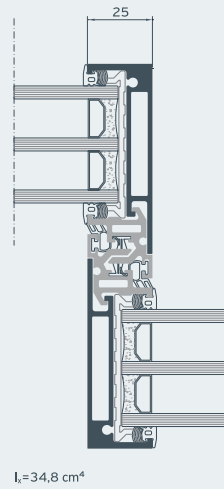


Corner constructions without using intermediate mullions offer:

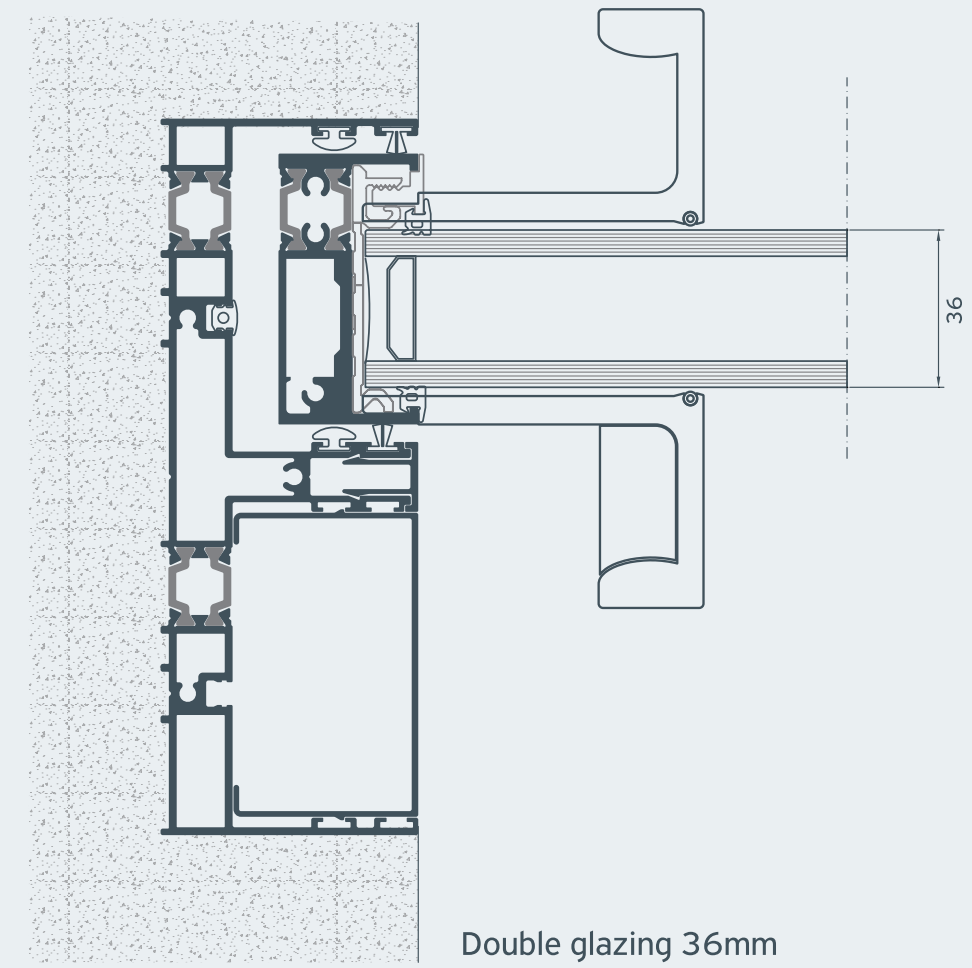
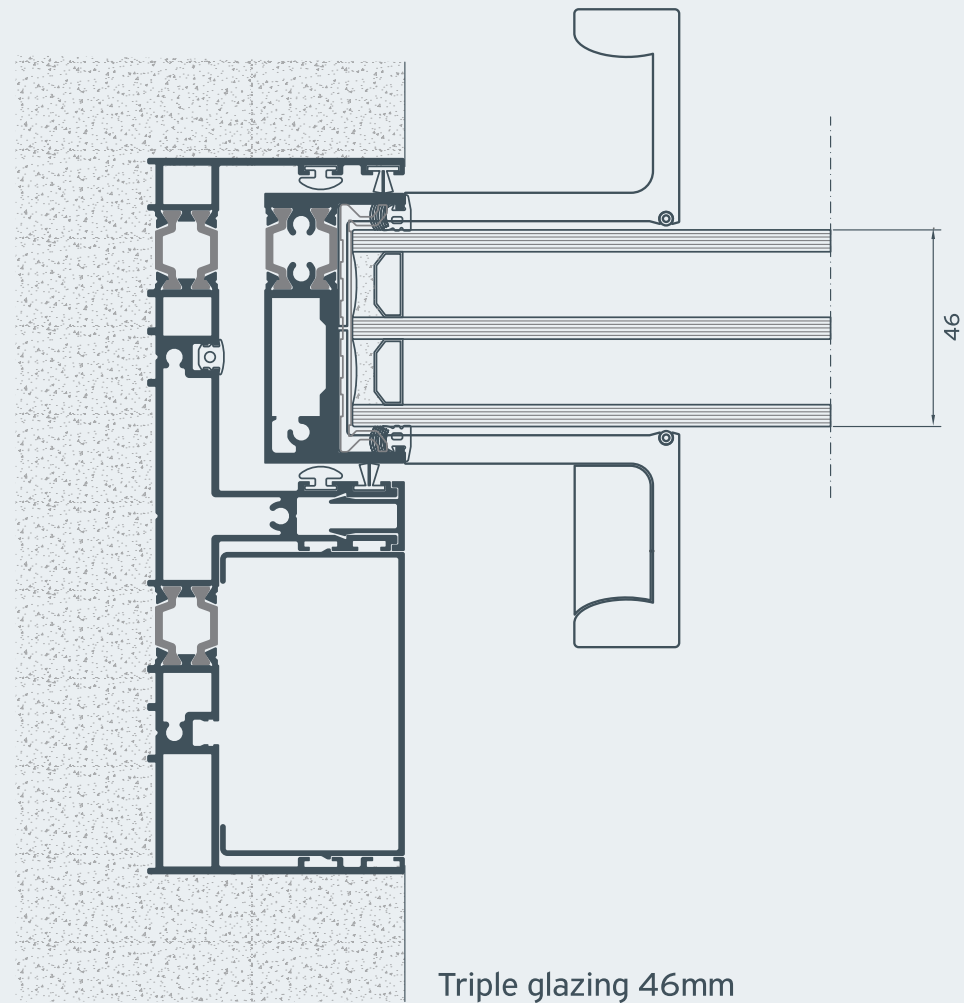
- / Maximum natural light
- / Ease of access
- / Minimal design
- / High functionality



Stiffeners



Glazing types



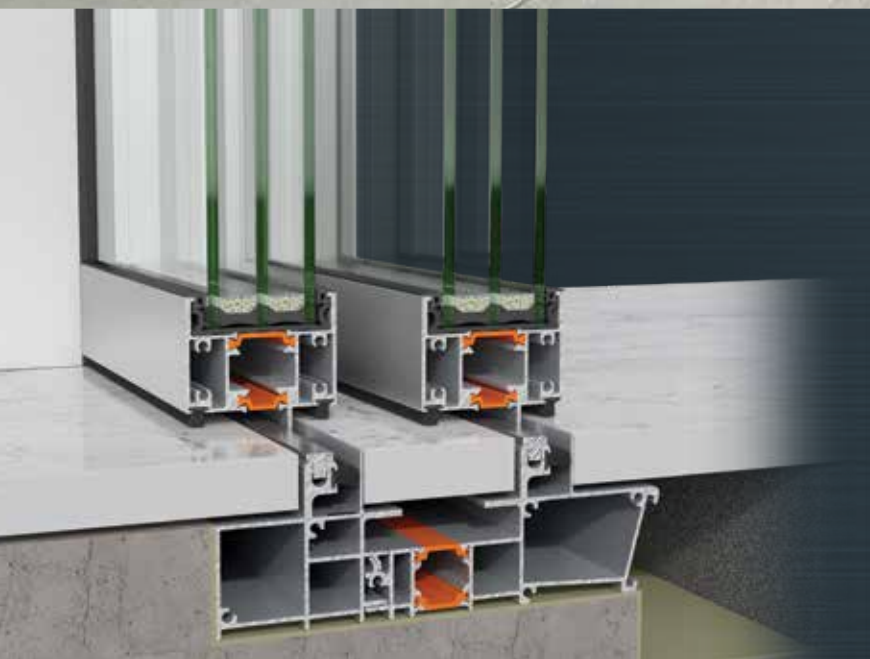


The innovative invisible track is totally integrated into the floor and covered with the floor finish, offering a flat surface and creating continuity between the interior and the exterior environment. Designed to meet the architectural demands of minimal thermally insulated sliding systems with minimum aluminum sight lines.

- / Invisible bottom frame totally flush to the floor.
- / Profiles totally concealed in wall for maximum natural light.
- / Only 25 mm visible aluminium face width at the interlocking profile.
- / Concealed water drainage with high performance.
- / Stainless steel rollers easily replaced for maintenance.
- / New inox philosophy for flawless sash gliding & durability overtime.

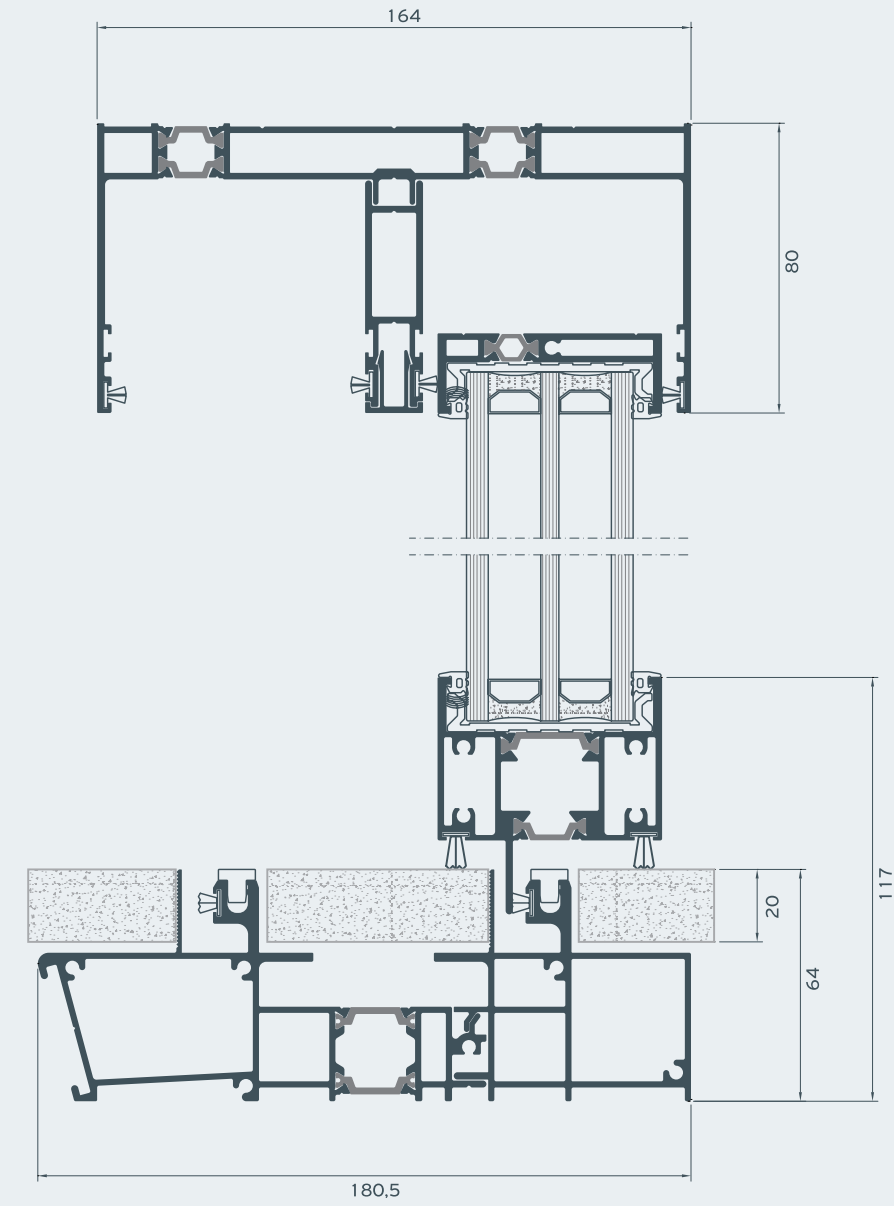
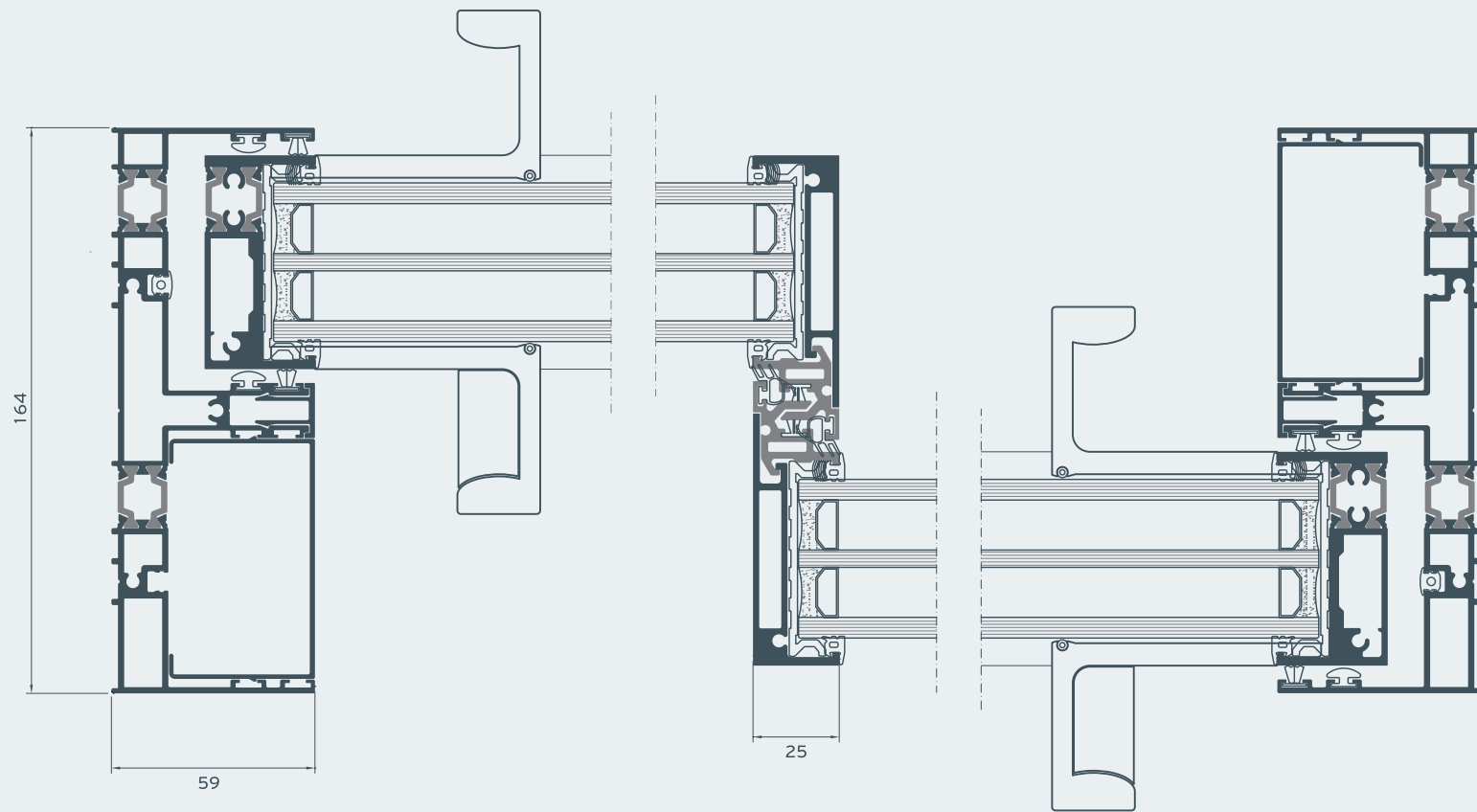
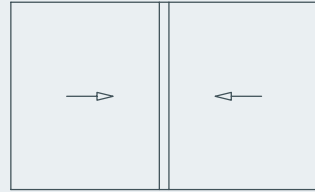
Technical Characteristics

Visible aluminium face width	Concealed profiles
Frame height	61 mm
Frame width	180 mm
Sash height	22 / 45 mm
Sash width	62 mm
Interlocking profile width	25 mm
Sash weight	up to 1000 Kg
Glazing	36 / 46 mm
Insulation	Polyamides, PVC



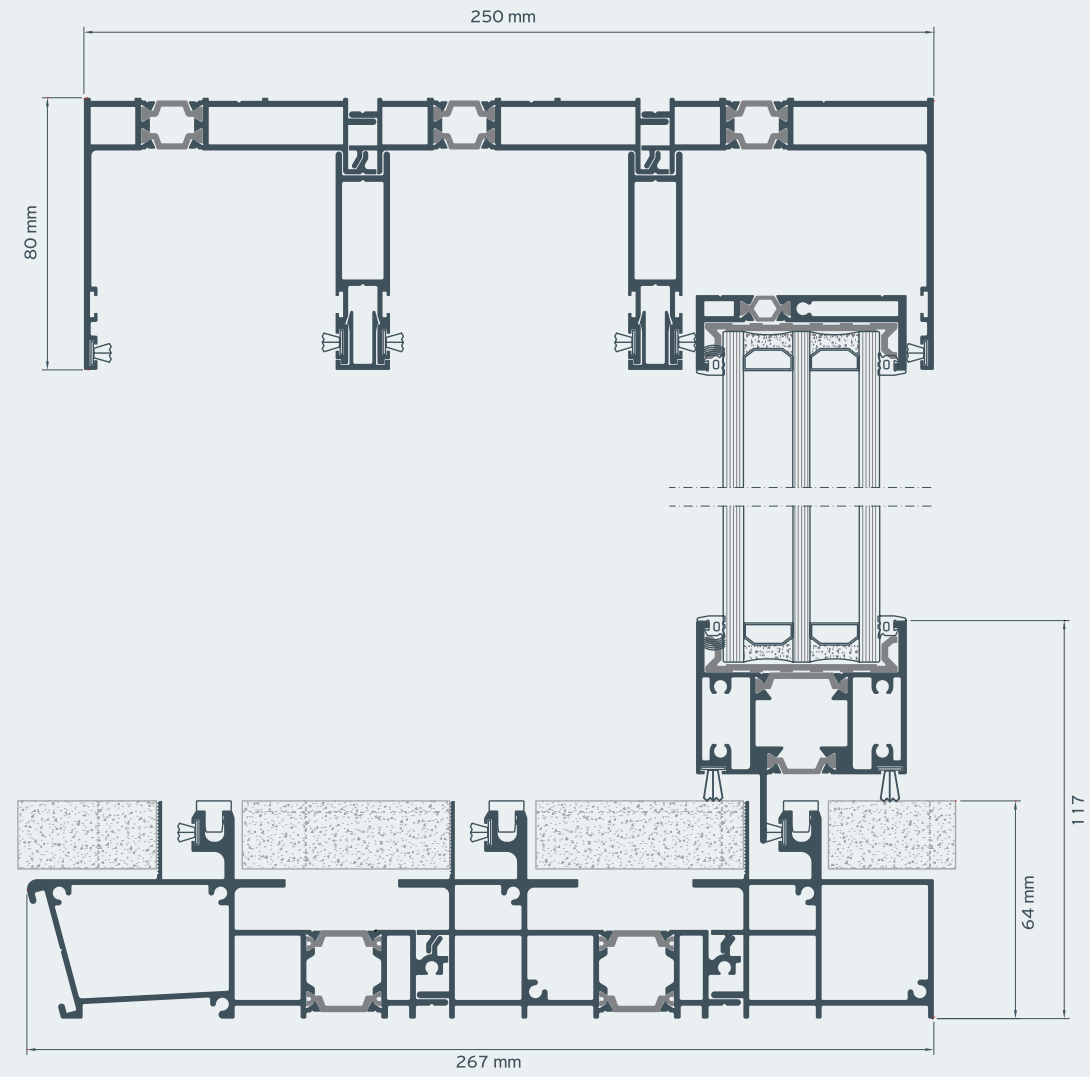
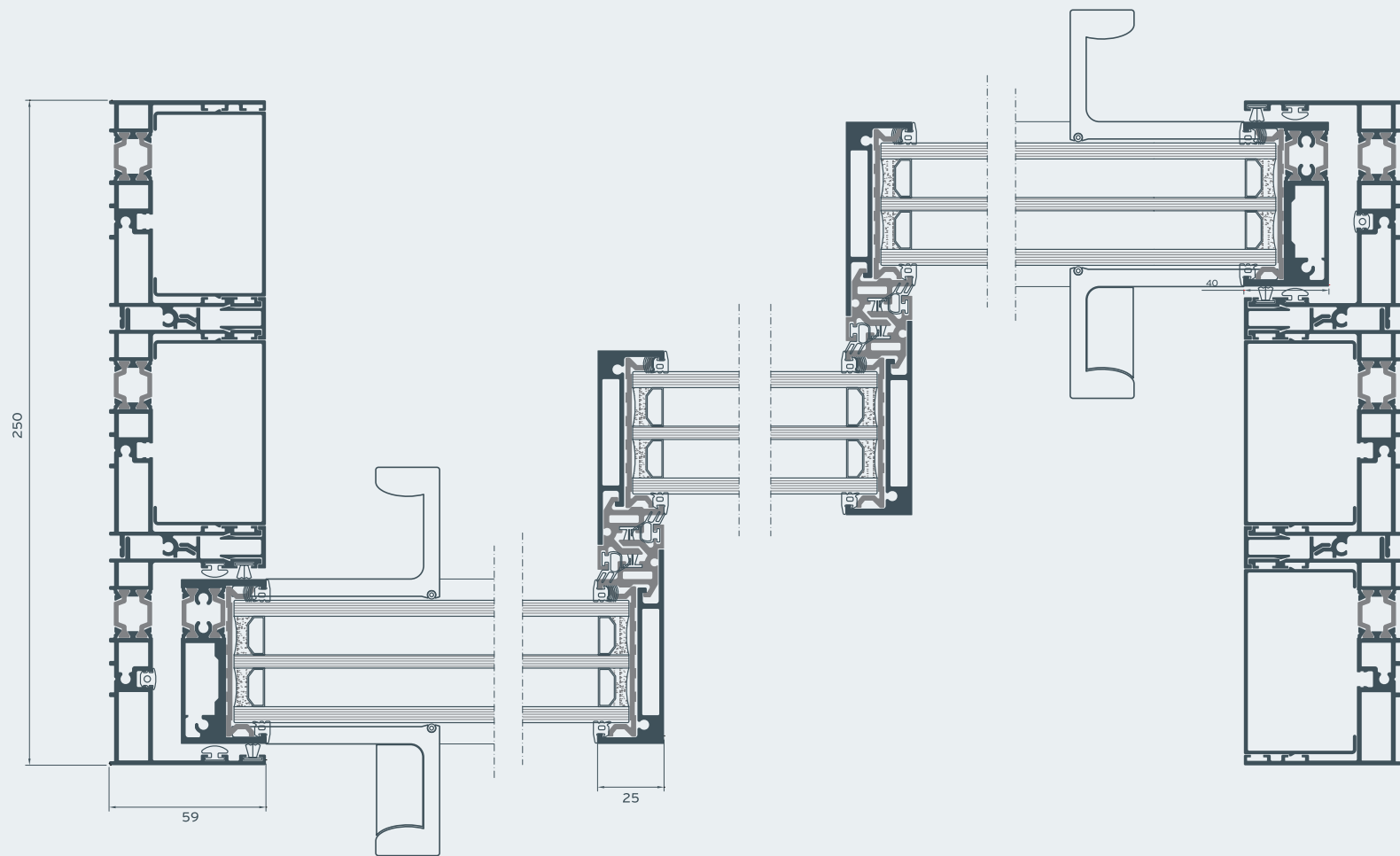
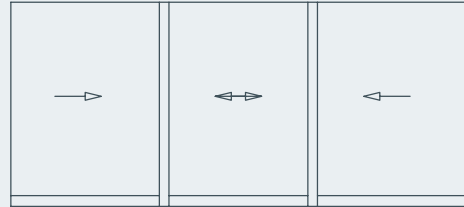
Alumil > SUPREME
S650 eclipse

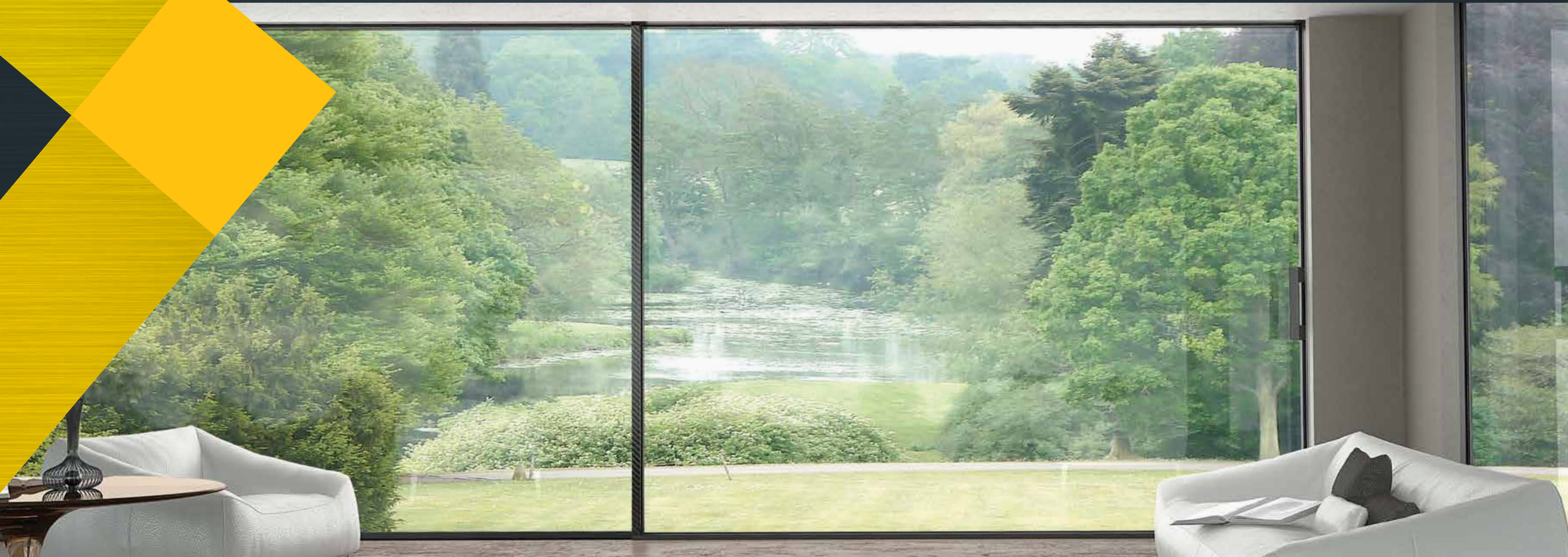
2 sashes / 2 track



Alumil > SUPREME
S650 eclipse

3 sashes / 3 track





Automated version

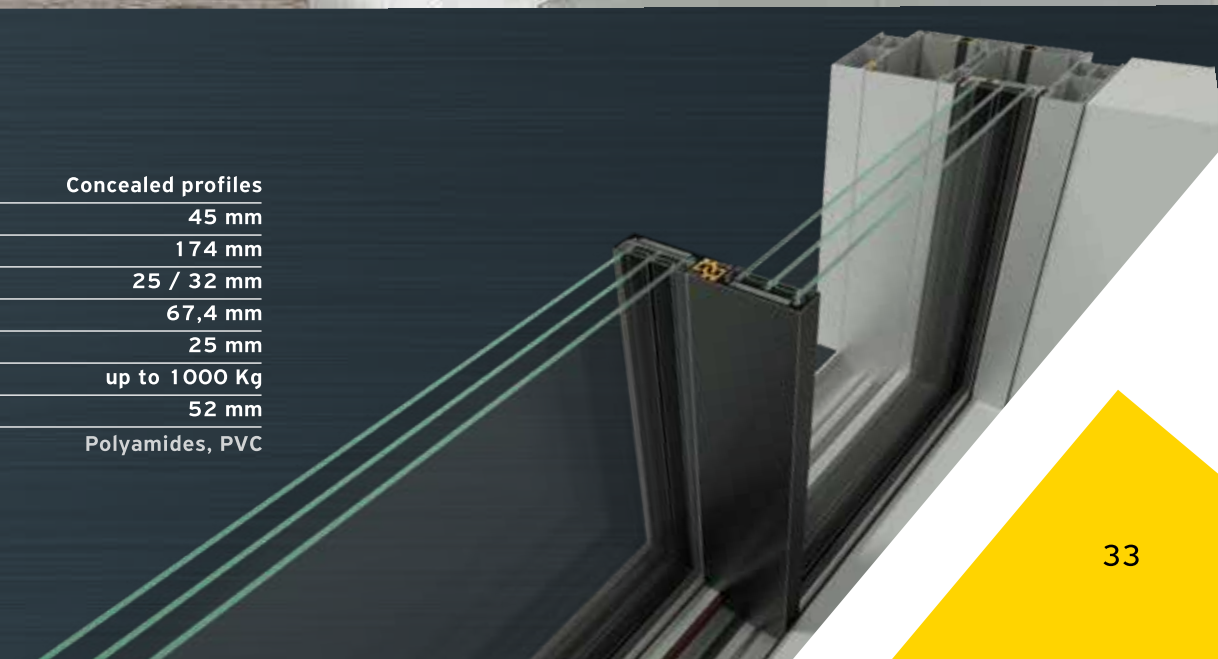
The SUPREME S650 e-MOTION is the automated version of the SUPREME S650 PHOS series. The elegant design and the electrical automation offering maximum ease of use, make it the perfect solution for projects that require impressive wide spans with uninterrupted view, as well as perfect comfort.

The innovative design of the system with the concealed mechanism, ensure the smooth motion of the system with emphasis on safety and functionality.

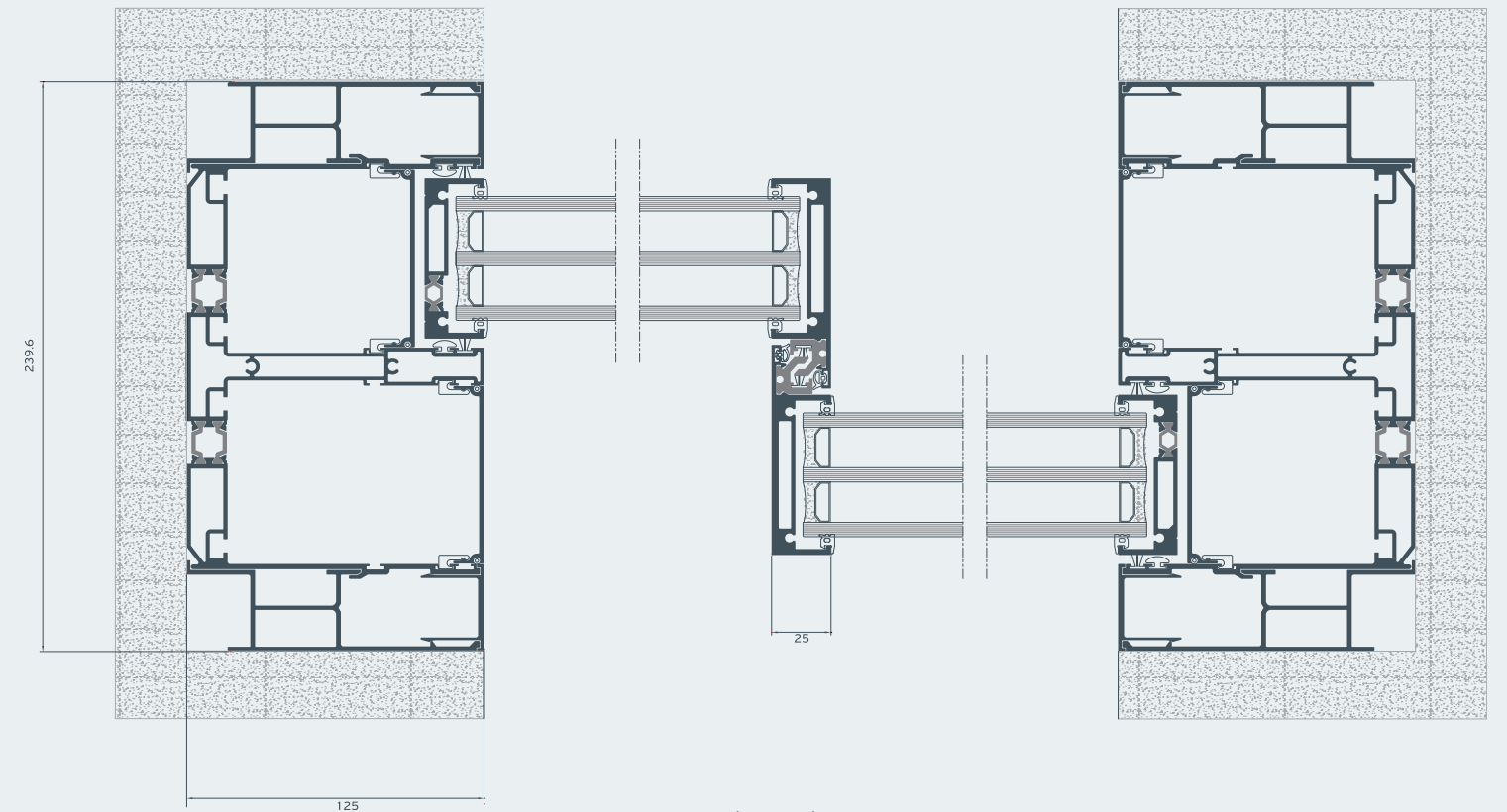
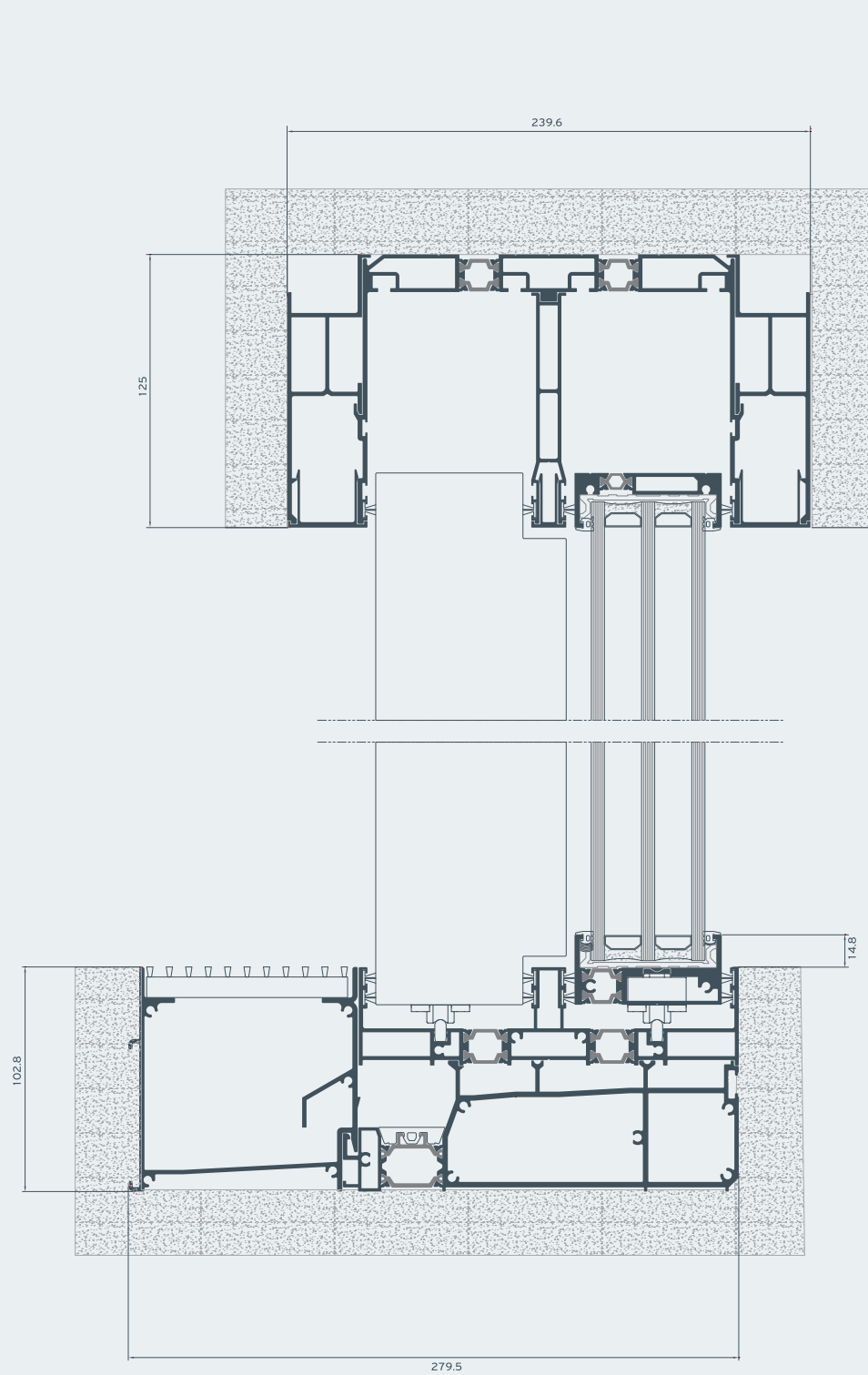
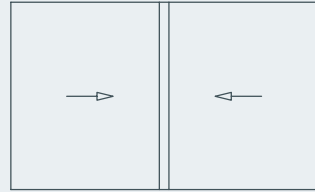
- / All the aluminum profiles are totally concealed in wall so as to maximize natural lighting.
- / Remote controlled electric motion for ease of use.
- / Maximum safety through a central control system (motion sensors, electromagnetic locking and fire detection), which is compatible with smart house applications.
- / Narrow interlocking profile with only 25 mm visible aluminum face width.
- / Can be operated in case of blackout thanks to the integrated rechargeable battery.
- / Manual operation possible in case of emergency.
- / Extra concealed profiles available for water drainage.

Technical Characteristics

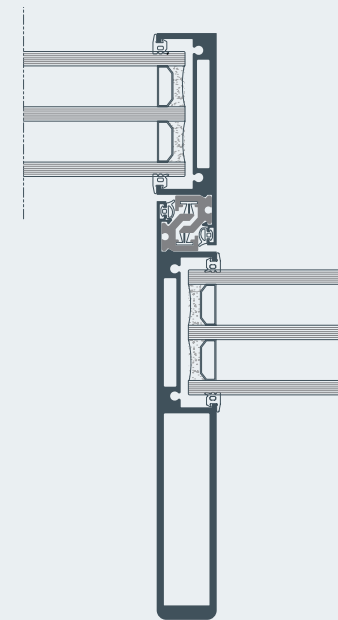
	Concealed profiles
Visible aluminium face width	
Frame height	45 mm
Frame width	174 mm
Sash height	25 / 32 mm
Sash width	67,4 mm
Interlocking profile width	25 mm
Sash weight	up to 1000 Kg
Glazing	52 mm
Insulation	Polyamides, PVC



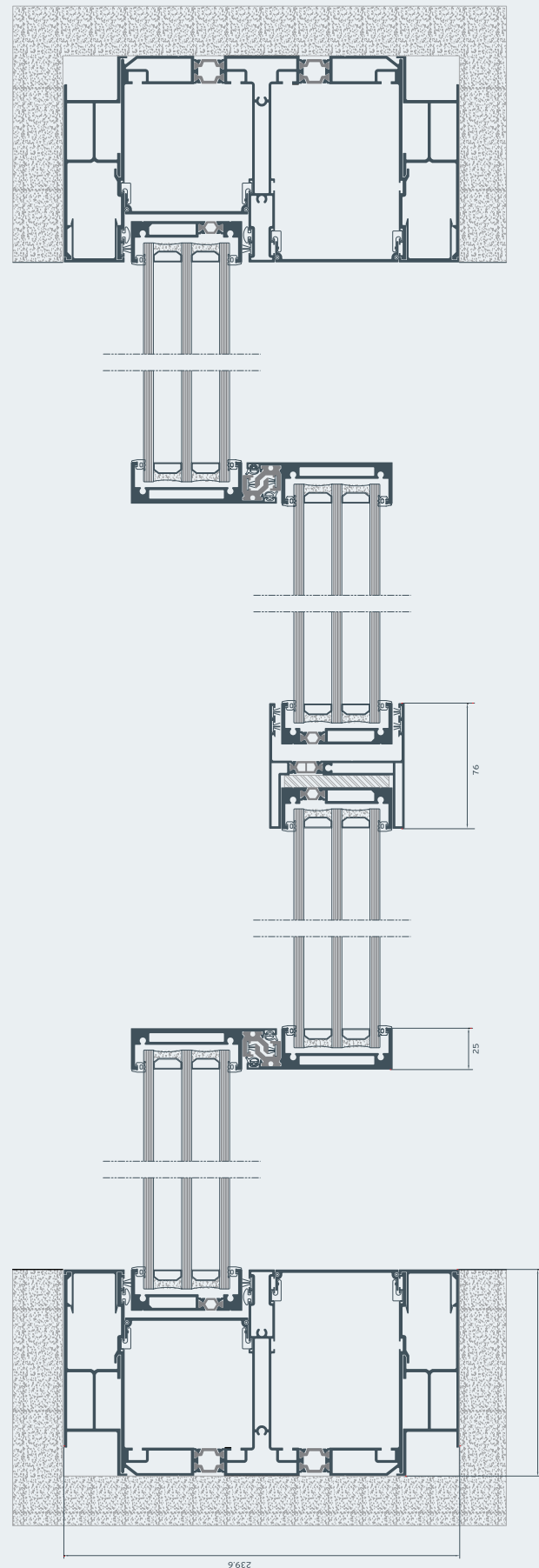
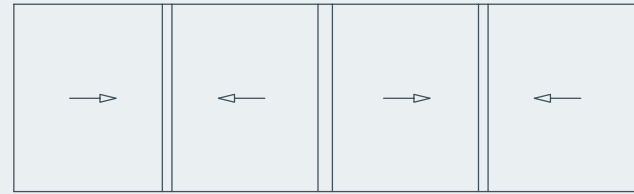
2 sashes / 2 track



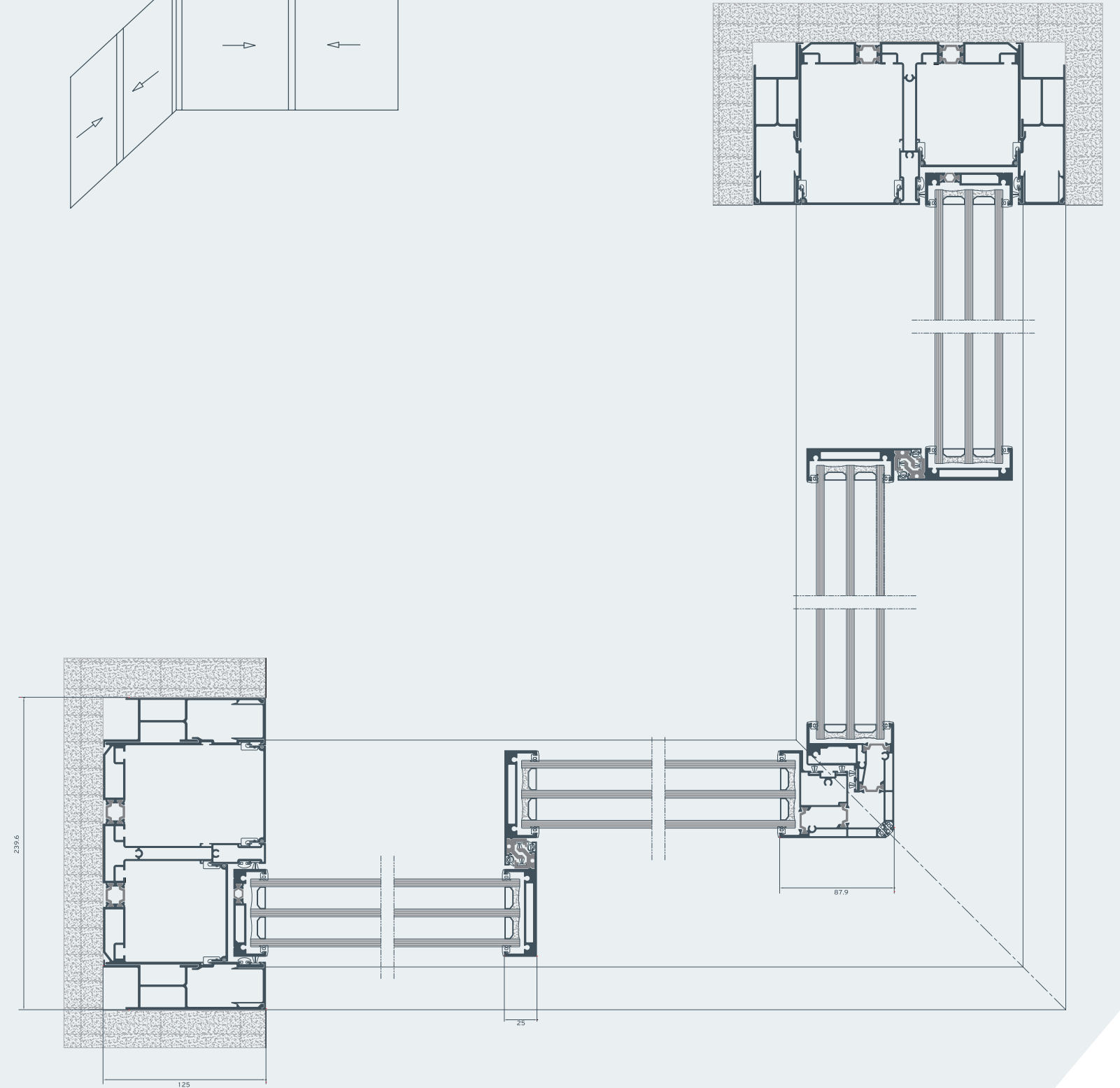
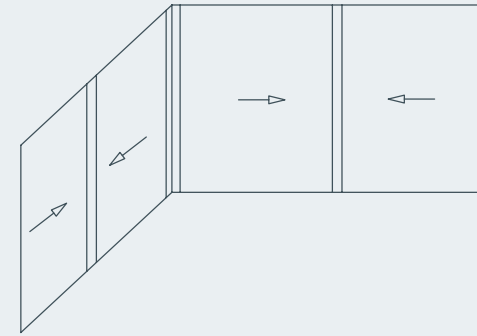
Alternative



4 sashes / 2 track

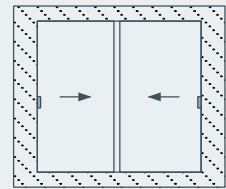


External Corner

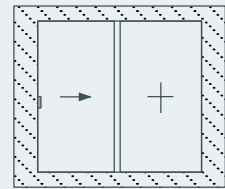


Applications

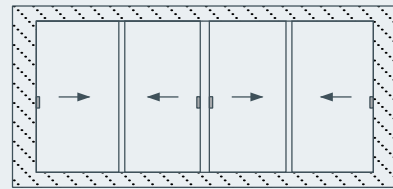
SUPREME S650 PHOS



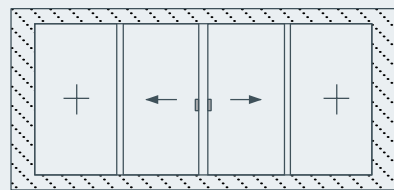
2 sashes / 2 track



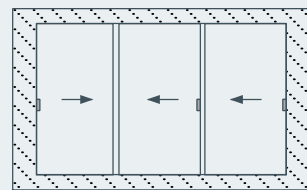
1 sash / Fixed



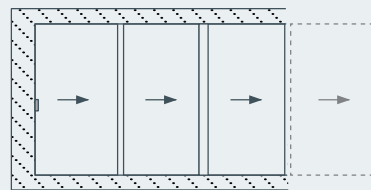
4 sashes / 2 track



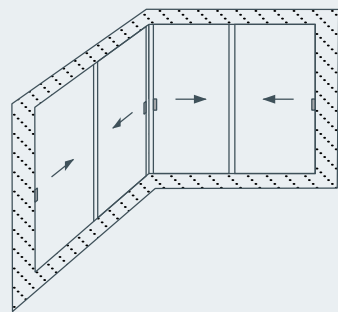
Fixed / 2 sashes / Fixed



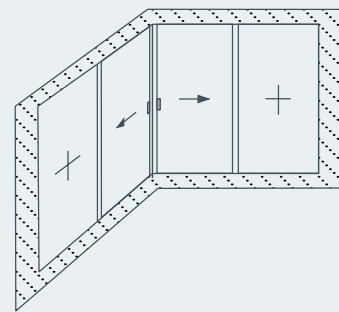
3 sashes / 3 track



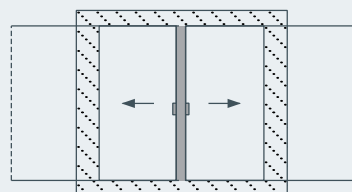
Multi track



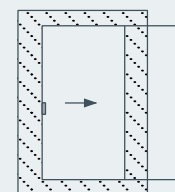
Internal / External corner
2 sashes / 2 track



Internal / External corner
1 sash / Fixed

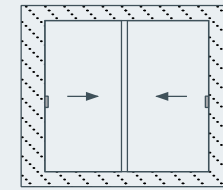


2 sashes / 1 track

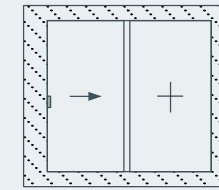


1 sash / 1 track

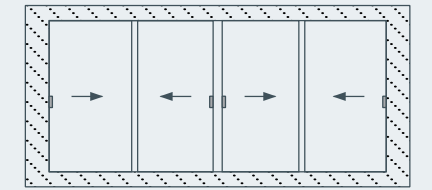
SUPREME S650 eclipse



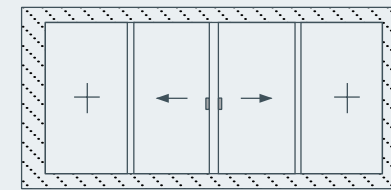
2 sashes / 2 track



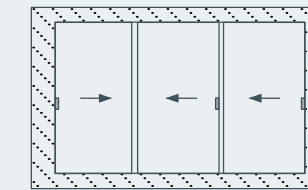
1 sash / Fixed



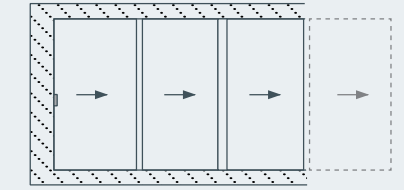
4 sashes / 2 track



Fixed / 2 sashes / Fixed

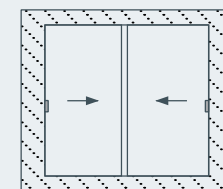


3 sashes / 3 track

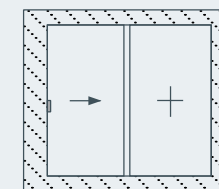


Multi track

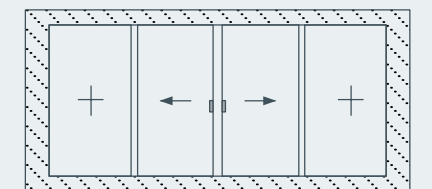
SUPREME S650 e-MOTION



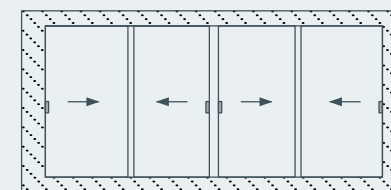
2 sashes / 2 track



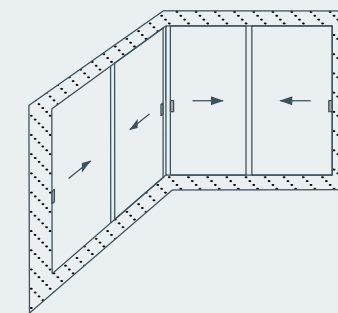
1 sash / Fixed



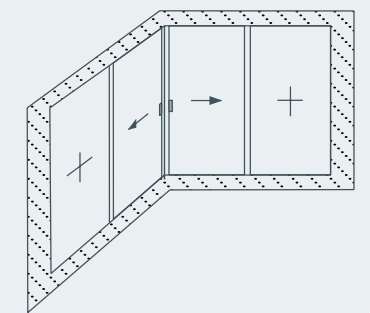
Fixed / 2 sashes / Fixed



4 sashes / 2 track



Internal / External corner
2 sashes / 2 track



Internal / External corner
1 sash / Fixed

Table of Performance

SUPREME S650 PHOS

CERTIFICATION	CLASSIFICATION								
Water tightness EN 12208	1A (0 Pa)	2A (50 Pa)	3A (100 Pa)	4A (150 Pa)	5A (200 Pa)	6A (250 Pa)	7A (300 Pa)	8A (450 Pa)	9A (600 Pa)
Air permeability EN 12207	1 (150 Pa)		2 (300 Pa)		3 (600 Pa)		4 (600 Pa)		
Wind load resistance, max. test pressure EN 12210	1 (400 Pa)		2 (800 Pa)	3 (1200 Pa)		4 (1600 Pa)		5 (2000 Pa)	
Wind load resistance to frontal deflection EN 12210	A (≤1/150)			B (≤1/200)			C (≤1/300)		
Burglar Resistance EN 1627 –1630	RC 1			RC 2			RC 3		

ALUMIL has also certified the system SUPREME S650 according to AAMA & AS standards which are available upon request.

SUPREME S650 eclipse

CERTIFICATION	CLASSIFICATION								
Water tightness EN 12208	1A (0 Pa)	2A (50 Pa)	3A (100 Pa)	4A (150 Pa)	5A (200 Pa)	6A (250 Pa)	7A (300 Pa)	8A (450 Pa)	9A (600 Pa)
Air permeability EN 12207	1 (150 Pa)		2 (300 Pa)		3 (600 Pa)		4 (600 Pa)		
Wind load resistance, max. test pressure EN 12210	1 (400 Pa)		2 (800 Pa)	3 (1200 Pa)	4 (1600 Pa)		5 (2000 Pa)		
Wind load resistance to frontal deflection EN 12210	A (≤1/150)			B (≤1/200)			C (≤1/300)		

SUPREME S650 e-MOTION

CERTIFICATION	CLASSIFICATION									
Water tightness EN 12208	1A (0 Pa)	2A (50 Pa)	3A (100 Pa)	4A (150 Pa)	5A (200 Pa)	6A (250 Pa)	7A (300 Pa)	8A (450 Pa)	9A (600 Pa)	E1050 (1050 Pa)
Air permeability EN 12207	1 (150 Pa)		2 (300 Pa)		3 (600 Pa)			4 (600 Pa)		
Wind load resistance, max. test pressure EN 12210	1 (400 Pa)		2 (800 Pa)	3 (1200 Pa)	4 (1600 Pa)		5 (2000 Pa)			
Wind load resistance to frontal deflection EN 12210	A (≤1/150)			B (≤1/200)			C (≤1/300)			
Burglar Resistance EN 1627 –1630	RC 1			RC 2			RC 3			

THERMAL PERFORMANCE	Dimensions in mm (W x H)	U _w in W/m ² K (U _g = 0,6)	U _w in W/m ² K (U _g = 0,8)	U _w in W/m ² K (U _g = 1,1)
2 sashes / 2-track	2600 x 2400	1,14	1,32	1,59
2 sashes / 2-track Low threshold	2600 x 2400	1,15	1,32	1,59
4 sashes / 2-track	5200 x 2400	1,12	1,30	1,57

Thermal performance for non-installed frames certified according to EN ISO 10077-2



Private Residence Thessaloniki, Greece



Ska villa Lagos Nigeria



Private Residence Aegina, Greece



Private Residence Athens, Greece

Reference Projects

Private Residence Kos, Greece



Mayia Exclusive Resort & Spa Rhodes, Greece



**ALUMIL
HEAD OFFICES
& SHOWROOM - THESSALONIKI**

Goçousi 8, Efkarpia
Thessaloniki - GR 56429
Tel.: +30 2313 011000
Fax: +30 2310 692473
E-mail: info@alumil.com

**ALUMIL
HEADQUARTERS**

Kilkis Industrial Area
Kilkis - GR 61100
Tel.: +30 23410 79300
Fax: +30 23410 71988
Email: info@alumil.com

